

# 04/06/2024 CHALLENGE FESTIVAL DE DEAUVILLE SEA Fréquences et scores

## Comité Aucune Division SEANCE 2 BCSH

19 tables, 38 paires. Nombre de donnes: 27. Moyenne: 459. Classement serpentín (6).

<p><b>1</b></p> <p>A9 --- ARD1076 DV875</p> <p>63 D10654 V84 R94</p> <p>R108542 987 95 106</p> <p>DV7 ARV32 32 A32</p> <p>6S N 990</p> <table border="1"> <thead> <tr> <th></th> <th>♣</th> <th>♦</th> <th>♥</th> <th>♠</th> <th>S</th> </tr> </thead> <tbody> <tr> <td>N</td> <td>12</td> <td>12</td> <td>9</td> <td>9</td> <td>12</td> </tr> <tr> <td>S</td> <td>:</td> <td>:</td> <td>8</td> <td>8</td> <td>11</td> </tr> <tr> <td>EO</td> <td>1</td> <td>1</td> <td>4</td> <td>4</td> <td>1</td> </tr> </tbody> </table>		♣	♦	♥	♠	S	N	12	12	9	9	12	S	:	:	8	8	11	EO	1	1	4	4	1	<p><b>2</b></p> <p>109652 D73 74 AR2</p> <p>AD843 V10 AR2 653</p> <p>--- AR9 DV1086 V10874</p> <p>RV7 86542 953 D9</p> <p>4S E -430</p> <table border="1"> <thead> <tr> <th></th> <th>♣</th> <th>♦</th> <th>♥</th> <th>♠</th> <th>S</th> </tr> </thead> <tbody> <tr> <td>N</td> <td>3</td> <td>3</td> <td>5</td> <td>6</td> <td>3</td> </tr> <tr> <td>S</td> <td>:</td> <td>2</td> <td>:</td> <td>:</td> <td>:</td> </tr> <tr> <td>EO</td> <td>10</td> <td>10</td> <td>7</td> <td>7</td> <td>10</td> </tr> </tbody> </table>		♣	♦	♥	♠	S	N	3	3	5	6	3	S	:	2	:	:	:	EO	10	10	7	7	10																																																																																																																																																																																				
	♣	♦	♥	♠	S																																																																																																																																																																																																																																
N	12	12	9	9	12																																																																																																																																																																																																																																
S	:	:	8	8	11																																																																																																																																																																																																																																
EO	1	1	4	4	1																																																																																																																																																																																																																																
	♣	♦	♥	♠	S																																																																																																																																																																																																																																
N	3	3	5	6	3																																																																																																																																																																																																																																
S	:	2	:	:	:																																																																																																																																																																																																																																
EO	10	10	7	7	10																																																																																																																																																																																																																																
<table border="1"> <thead> <tr> <th>Tbl</th> <th>Paire</th> <th>Contrat</th> <th>Ent</th> <th>Résultat</th> <th>Score</th> </tr> </thead> <tbody> <tr><td>A 1</td><td>101 201</td><td>4♥ S -2</td><td>♠6</td><td>-100</td><td>2 32</td></tr> <tr><td>A 3</td><td>103 204</td><td>6♣ N =</td><td>♠8</td><td>920</td><td>26 8</td></tr> <tr><td>A 4</td><td>104 206</td><td>6♣ N =</td><td>♥7</td><td>920</td><td>26 8</td></tr> <tr><td>A 5</td><td>105 208</td><td>6♣ N =</td><td>♠8</td><td>920</td><td>26 8</td></tr> <tr><td>A 6</td><td>106 210</td><td>6♦ N =</td><td>♦5</td><td>920</td><td>26 8</td></tr> <tr><td>A 7</td><td>107 203</td><td>5♣ N +1</td><td>♠5</td><td>420</td><td>12 22</td></tr> <tr><td>A 8</td><td>108 205</td><td>5♣ N +1</td><td>♠5</td><td>420</td><td>12 22</td></tr> <tr><td>A 9</td><td>109 207</td><td>3S S +2</td><td>♠6</td><td>460</td><td>16 18</td></tr> <tr><td>A 10</td><td>110 209</td><td>3S N +3</td><td>♠5</td><td>490</td><td>18 16</td></tr> <tr><td>B 1</td><td>301 401</td><td>6♣ S =</td><td>♥4</td><td>920</td><td>26 8</td></tr> <tr><td>B 2</td><td>302 403</td><td>6S N -1</td><td>♥7</td><td>-50</td><td>7 27</td></tr> <tr><td>B 3</td><td>303 405</td><td>6♣ N =</td><td>♥7</td><td>920</td><td>26 8</td></tr> <tr><td>B 4</td><td>304 407</td><td>6♣ N =</td><td>♣6</td><td>920</td><td>26 8</td></tr> <tr><td>B 5</td><td>305 409</td><td>5♦ N +1</td><td>♥9</td><td>420</td><td>12 22</td></tr> <tr><td>B 6</td><td>306 402</td><td>6♥ S -2</td><td>♠6</td><td>-100</td><td>2 32</td></tr> <tr><td>B 7</td><td>307 404</td><td>4♥ S -1</td><td>♠6</td><td>-50</td><td>7 27</td></tr> <tr><td>B 8</td><td>308 406</td><td>6S S =</td><td>♠6</td><td>990</td><td>34 0</td></tr> <tr><td>B 9</td><td>309 408</td><td>7S S -2</td><td>♣9</td><td>-100</td><td>2 32</td></tr> </tbody> </table>	Tbl	Paire	Contrat	Ent	Résultat	Score	A 1	101 201	4♥ S -2	♠6	-100	2 32	A 3	103 204	6♣ N =	♠8	920	26 8	A 4	104 206	6♣ N =	♥7	920	26 8	A 5	105 208	6♣ N =	♠8	920	26 8	A 6	106 210	6♦ N =	♦5	920	26 8	A 7	107 203	5♣ N +1	♠5	420	12 22	A 8	108 205	5♣ N +1	♠5	420	12 22	A 9	109 207	3S S +2	♠6	460	16 18	A 10	110 209	3S N +3	♠5	490	18 16	B 1	301 401	6♣ S =	♥4	920	26 8	B 2	302 403	6S N -1	♥7	-50	7 27	B 3	303 405	6♣ N =	♥7	920	26 8	B 4	304 407	6♣ N =	♣6	920	26 8	B 5	305 409	5♦ N +1	♥9	420	12 22	B 6	306 402	6♥ S -2	♠6	-100	2 32	B 7	307 404	4♥ S -1	♠6	-50	7 27	B 8	308 406	6S S =	♠6	990	34 0	B 9	309 408	7S S -2	♣9	-100	2 32	<table border="1"> <thead> <tr> <th>Tbl</th> <th>Paire</th> <th>Contrat</th> <th>Ent</th> <th>Résultat</th> <th>Score</th> </tr> </thead> <tbody> <tr><td>A 1</td><td>101 201</td><td>3S E =</td><td>♥6</td><td>-400</td><td>14 20</td></tr> <tr><td>A 3</td><td>103 204</td><td>5♣ E -1</td><td>♥8</td><td>50</td><td>30 4</td></tr> <tr><td>A 4</td><td>104 206</td><td>3S E =</td><td>♥6</td><td>-400</td><td>14 20</td></tr> <tr><td>A 5</td><td>105 208</td><td>3S E =</td><td>♥6</td><td>-400</td><td>14 20</td></tr> <tr><td>A 6</td><td>106 210</td><td>3S E +2</td><td>♥4</td><td>-460</td><td>0 34</td></tr> <tr><td>A 7</td><td>107 203</td><td>5♣ E -1</td><td>♠V</td><td>50</td><td>30 4</td></tr> <tr><td>A 8</td><td>108 205</td><td>3S E =</td><td>♥6</td><td>-400</td><td>14 20</td></tr> <tr><td>A 9</td><td>109 207</td><td>2♦ E +1</td><td>♥2</td><td>-110</td><td>24 10</td></tr> <tr><td>A 10</td><td>110 209</td><td>3S E =</td><td>♥6</td><td>-400</td><td>14 20</td></tr> <tr><td>B 1</td><td>301 401</td><td>5♦ E -1</td><td>♦5</td><td>50</td><td>30 4</td></tr> <tr><td>B 2</td><td>302 403</td><td>5♦ E -1</td><td>♣D</td><td>50</td><td>30 4</td></tr> <tr><td>B 3</td><td>303 405</td><td>3S E =</td><td>♥4</td><td>-400</td><td>14 20</td></tr> <tr><td>B 4</td><td>304 407</td><td>5♣ E -1</td><td>♥2</td><td>50</td><td>30 4</td></tr> <tr><td>B 5</td><td>305 409</td><td>3S E +1</td><td>♥6</td><td>-430</td><td>3 31</td></tr> <tr><td>B 6</td><td>306 402</td><td>5♦ E =</td><td>♥2</td><td>-400</td><td>14 20</td></tr> <tr><td>B 7</td><td>307 404</td><td>5♦ E =</td><td>♥5</td><td>-400</td><td>14 20</td></tr> <tr><td>B 8</td><td>308 406</td><td>3S E =</td><td>♥5</td><td>-400</td><td>14 20</td></tr> <tr><td>B 9</td><td>309 408</td><td>3S E +1</td><td>♥8</td><td>-430</td><td>3 31</td></tr> </tbody> </table>	Tbl	Paire	Contrat	Ent	Résultat	Score	A 1	101 201	3S E =	♥6	-400	14 20	A 3	103 204	5♣ E -1	♥8	50	30 4	A 4	104 206	3S E =	♥6	-400	14 20	A 5	105 208	3S E =	♥6	-400	14 20	A 6	106 210	3S E +2	♥4	-460	0 34	A 7	107 203	5♣ E -1	♠V	50	30 4	A 8	108 205	3S E =	♥6	-400	14 20	A 9	109 207	2♦ E +1	♥2	-110	24 10	A 10	110 209	3S E =	♥6	-400	14 20	B 1	301 401	5♦ E -1	♦5	50	30 4	B 2	302 403	5♦ E -1	♣D	50	30 4	B 3	303 405	3S E =	♥4	-400	14 20	B 4	304 407	5♣ E -1	♥2	50	30 4	B 5	305 409	3S E +1	♥6	-430	3 31	B 6	306 402	5♦ E =	♥2	-400	14 20	B 7	307 404	5♦ E =	♥5	-400	14 20	B 8	308 406	3S E =	♥5	-400	14 20	B 9	309 408	3S E +1	♥8	-430	3 31
Tbl	Paire	Contrat	Ent	Résultat	Score																																																																																																																																																																																																																																
A 1	101 201	4♥ S -2	♠6	-100	2 32																																																																																																																																																																																																																																
A 3	103 204	6♣ N =	♠8	920	26 8																																																																																																																																																																																																																																
A 4	104 206	6♣ N =	♥7	920	26 8																																																																																																																																																																																																																																
A 5	105 208	6♣ N =	♠8	920	26 8																																																																																																																																																																																																																																
A 6	106 210	6♦ N =	♦5	920	26 8																																																																																																																																																																																																																																
A 7	107 203	5♣ N +1	♠5	420	12 22																																																																																																																																																																																																																																
A 8	108 205	5♣ N +1	♠5	420	12 22																																																																																																																																																																																																																																
A 9	109 207	3S S +2	♠6	460	16 18																																																																																																																																																																																																																																
A 10	110 209	3S N +3	♠5	490	18 16																																																																																																																																																																																																																																
B 1	301 401	6♣ S =	♥4	920	26 8																																																																																																																																																																																																																																
B 2	302 403	6S N -1	♥7	-50	7 27																																																																																																																																																																																																																																
B 3	303 405	6♣ N =	♥7	920	26 8																																																																																																																																																																																																																																
B 4	304 407	6♣ N =	♣6	920	26 8																																																																																																																																																																																																																																
B 5	305 409	5♦ N +1	♥9	420	12 22																																																																																																																																																																																																																																
B 6	306 402	6♥ S -2	♠6	-100	2 32																																																																																																																																																																																																																																
B 7	307 404	4♥ S -1	♠6	-50	7 27																																																																																																																																																																																																																																
B 8	308 406	6S S =	♠6	990	34 0																																																																																																																																																																																																																																
B 9	309 408	7S S -2	♣9	-100	2 32																																																																																																																																																																																																																																
Tbl	Paire	Contrat	Ent	Résultat	Score																																																																																																																																																																																																																																
A 1	101 201	3S E =	♥6	-400	14 20																																																																																																																																																																																																																																
A 3	103 204	5♣ E -1	♥8	50	30 4																																																																																																																																																																																																																																
A 4	104 206	3S E =	♥6	-400	14 20																																																																																																																																																																																																																																
A 5	105 208	3S E =	♥6	-400	14 20																																																																																																																																																																																																																																
A 6	106 210	3S E +2	♥4	-460	0 34																																																																																																																																																																																																																																
A 7	107 203	5♣ E -1	♠V	50	30 4																																																																																																																																																																																																																																
A 8	108 205	3S E =	♥6	-400	14 20																																																																																																																																																																																																																																
A 9	109 207	2♦ E +1	♥2	-110	24 10																																																																																																																																																																																																																																
A 10	110 209	3S E =	♥6	-400	14 20																																																																																																																																																																																																																																
B 1	301 401	5♦ E -1	♦5	50	30 4																																																																																																																																																																																																																																
B 2	302 403	5♦ E -1	♣D	50	30 4																																																																																																																																																																																																																																
B 3	303 405	3S E =	♥4	-400	14 20																																																																																																																																																																																																																																
B 4	304 407	5♣ E -1	♥2	50	30 4																																																																																																																																																																																																																																
B 5	305 409	3S E +1	♥6	-430	3 31																																																																																																																																																																																																																																
B 6	306 402	5♦ E =	♥2	-400	14 20																																																																																																																																																																																																																																
B 7	307 404	5♦ E =	♥5	-400	14 20																																																																																																																																																																																																																																
B 8	308 406	3S E =	♥5	-400	14 20																																																																																																																																																																																																																																
B 9	309 408	3S E +1	♥8	-430	3 31																																																																																																																																																																																																																																

# 04/06/2024 CHALLENGE FESTIVAL DE DEAUVILLE SEA Fréquences et scores

## Comité Aucune Division SEANCE 2 BCSH

19 tables, 38 paires. Nombre de donnes: 27. Moyenne: 459. Classement serpentín (6).

<p><b>3</b></p> <p>AR ARD85 V107 AR3</p> <p>V10852 9763 A982 ---</p> <p>---</p> <p>643 102 D64 V9874</p> <p>3♥ S 140</p> <table border="1"> <thead> <tr> <th></th> <th>♣</th> <th>♦</th> <th>♥</th> <th>♠</th> <th>S</th> </tr> </thead> <tbody> <tr> <td>NS</td> <td>10</td> <td>7</td> <td>9</td> <td>6</td> <td>8</td> </tr> <tr> <td>EO</td> <td>3</td> <td>5</td> <td>4</td> <td>7</td> <td>5</td> </tr> </tbody> </table>		♣	♦	♥	♠	S	NS	10	7	9	6	8	EO	3	5	4	7	5	<p><b>4</b></p> <p>ADV987 10 92 DV75</p> <p>---</p> <p>AD93 AR10874 1084</p> <p>1063 R72 DV63 A63</p> <p>R542 V8654 5 R92</p> <p>6♠x N -500</p> <table border="1"> <thead> <tr> <th></th> <th>♣</th> <th>♦</th> <th>♥</th> <th>♠</th> <th>S</th> </tr> </thead> <tbody> <tr> <td>NS</td> <td>6</td> <td>1</td> <td>4</td> <td>10</td> <td>2</td> </tr> <tr> <td>EO</td> <td>5</td> <td>12</td> <td>7</td> <td>3</td> <td>7</td> </tr> </tbody> </table>		♣	♦	♥	♠	S	NS	6	1	4	10	2	EO	5	12	7	3	7																																																																																																																																																																																																
	♣	♦	♥	♠	S																																																																																																																																																																																																																																
NS	10	7	9	6	8																																																																																																																																																																																																																																
EO	3	5	4	7	5																																																																																																																																																																																																																																
	♣	♦	♥	♠	S																																																																																																																																																																																																																																
NS	6	1	4	10	2																																																																																																																																																																																																																																
EO	5	12	7	3	7																																																																																																																																																																																																																																
<table border="1"> <thead> <tr> <th>Tbl</th> <th>Paire</th> <th>Contrat</th> <th>Ent</th> <th>Résultat</th> <th>Score</th> </tr> </thead> <tbody> <tr><td>A 1</td><td>101 201</td><td>3S</td><td>N +2 ♣5</td><td>460</td><td>27 7</td></tr> <tr><td>A 3</td><td>103 204</td><td>3S</td><td>N +1 ♣5</td><td>430</td><td>18 16</td></tr> <tr><td>A 4</td><td>104 206</td><td>3S</td><td>S +1 ♠V</td><td>430</td><td>18 16</td></tr> <tr><td>A 5</td><td>105 208</td><td>3S</td><td>N +2 ♣5</td><td>460</td><td>27 7</td></tr> <tr><td>A 6</td><td>106 210</td><td>4♥</td><td>S -1 ♠V</td><td>-50</td><td>7 27</td></tr> <tr><td>A 7</td><td>107 203</td><td>4♥</td><td>S -1 ♠V</td><td>-50</td><td>7 27</td></tr> <tr><td>A 8</td><td>108 205</td><td>3S</td><td>N +2 ♣5</td><td>460</td><td>27 7</td></tr> <tr><td>A 9</td><td>109 207</td><td>3S</td><td>S -1 ♠5</td><td>-50</td><td>7 27</td></tr> <tr><td>A 10</td><td>110 209</td><td>3S</td><td>N +3 ♣5</td><td>490</td><td>34 0</td></tr> <tr><td>B 1</td><td>301 401</td><td>3S</td><td>N = ♣2</td><td>400</td><td>14 20</td></tr> <tr><td>B 2</td><td>302 403</td><td>4♥</td><td>N -2 ♠7</td><td>-100</td><td>0 34</td></tr> <tr><td>B 3</td><td>303 405</td><td>3S</td><td>N +1 ♣5</td><td>430</td><td>18 16</td></tr> <tr><td>B 4</td><td>304 407</td><td>3S</td><td>N +2 ♥V</td><td>460</td><td>27 7</td></tr> <tr><td>B 5</td><td>305 409</td><td>3S</td><td>N +2 ♣5</td><td>460</td><td>27 7</td></tr> <tr><td>B 6</td><td>306 402</td><td>4♥</td><td>S -1 ♠V</td><td>-50</td><td>7 27</td></tr> <tr><td>B 7</td><td>307 404</td><td>4♥</td><td>S -1 ♠5</td><td>-50</td><td>7 27</td></tr> <tr><td>B 8</td><td>308 406</td><td>3S</td><td>N +2 ♣5</td><td>460</td><td>27 7</td></tr> <tr><td>B 9</td><td>309 408</td><td>3S</td><td>S -1 ♠V</td><td>-50</td><td>7 27</td></tr> </tbody> </table>	Tbl	Paire	Contrat	Ent	Résultat	Score	A 1	101 201	3S	N +2 ♣5	460	27 7	A 3	103 204	3S	N +1 ♣5	430	18 16	A 4	104 206	3S	S +1 ♠V	430	18 16	A 5	105 208	3S	N +2 ♣5	460	27 7	A 6	106 210	4♥	S -1 ♠V	-50	7 27	A 7	107 203	4♥	S -1 ♠V	-50	7 27	A 8	108 205	3S	N +2 ♣5	460	27 7	A 9	109 207	3S	S -1 ♠5	-50	7 27	A 10	110 209	3S	N +3 ♣5	490	34 0	B 1	301 401	3S	N = ♣2	400	14 20	B 2	302 403	4♥	N -2 ♠7	-100	0 34	B 3	303 405	3S	N +1 ♣5	430	18 16	B 4	304 407	3S	N +2 ♥V	460	27 7	B 5	305 409	3S	N +2 ♣5	460	27 7	B 6	306 402	4♥	S -1 ♠V	-50	7 27	B 7	307 404	4♥	S -1 ♠5	-50	7 27	B 8	308 406	3S	N +2 ♣5	460	27 7	B 9	309 408	3S	S -1 ♠V	-50	7 27	<table border="1"> <thead> <tr> <th>Tbl</th> <th>Paire</th> <th>Contrat</th> <th>Ent</th> <th>Résultat</th> <th>Score</th> </tr> </thead> <tbody> <tr><td>A 1</td><td>101 210</td><td>4♠x N =</td><td>♦D</td><td>790</td><td>30 4</td></tr> <tr><td>A 2</td><td>102 202</td><td>3♠x N +1</td><td>♠3</td><td>930</td><td>34 0</td></tr> <tr><td>A 4</td><td>104 205</td><td>5♦</td><td>O = ♥10</td><td>-600</td><td>7 27</td></tr> <tr><td>A 5</td><td>105 207</td><td>4♠</td><td>N = ♦D</td><td>620</td><td>24 10</td></tr> <tr><td>A 6</td><td>106 209</td><td>4♠</td><td>N = ♦D</td><td>620</td><td>24 10</td></tr> <tr><td>A 7</td><td>107 201</td><td>4♠x N =</td><td>♠3</td><td>790</td><td>30 4</td></tr> <tr><td>A 8</td><td>108 204</td><td>5♠x N -1</td><td>♦D</td><td>-200</td><td>14 20</td></tr> <tr><td>A 9</td><td>109 206</td><td>5♦</td><td>O = ♠A</td><td>-600</td><td>7 27</td></tr> <tr><td>A 10</td><td>110 208</td><td>5♦</td><td>O = ♥10</td><td>-600</td><td>7 27</td></tr> <tr><td>B 1</td><td>301 409</td><td>5♠x N -1</td><td>♦D</td><td>-200</td><td>14 20</td></tr> <tr><td>B 2</td><td>302 402</td><td>5♦</td><td>O +1 ♠A</td><td>-620</td><td>1 33</td></tr> <tr><td>B 3</td><td>303 404</td><td>5♦</td><td>O = ♥10</td><td>-600</td><td>7 27</td></tr> <tr><td>B 4</td><td>304 406</td><td>4♠</td><td>N = ♦D</td><td>620</td><td>24 10</td></tr> <tr><td>B 5</td><td>305 408</td><td>5♠x N -1</td><td>♦D</td><td>-200</td><td>14 20</td></tr> <tr><td>B 6</td><td>306 401</td><td>4♠x N =</td><td>♦D</td><td>790</td><td>30 4</td></tr> <tr><td>B 7</td><td>307 403</td><td>4♥</td><td>O -4 ♣D</td><td>400</td><td>20 14</td></tr> <tr><td>B 8</td><td>308 405</td><td>5♦</td><td>O +1 ♣D</td><td>-620</td><td>1 33</td></tr> <tr><td>B 9</td><td>309 407</td><td>4♦</td><td>O +2 ♥10</td><td>-170</td><td>18 16</td></tr> </tbody> </table>	Tbl	Paire	Contrat	Ent	Résultat	Score	A 1	101 210	4♠x N =	♦D	790	30 4	A 2	102 202	3♠x N +1	♠3	930	34 0	A 4	104 205	5♦	O = ♥10	-600	7 27	A 5	105 207	4♠	N = ♦D	620	24 10	A 6	106 209	4♠	N = ♦D	620	24 10	A 7	107 201	4♠x N =	♠3	790	30 4	A 8	108 204	5♠x N -1	♦D	-200	14 20	A 9	109 206	5♦	O = ♠A	-600	7 27	A 10	110 208	5♦	O = ♥10	-600	7 27	B 1	301 409	5♠x N -1	♦D	-200	14 20	B 2	302 402	5♦	O +1 ♠A	-620	1 33	B 3	303 404	5♦	O = ♥10	-600	7 27	B 4	304 406	4♠	N = ♦D	620	24 10	B 5	305 408	5♠x N -1	♦D	-200	14 20	B 6	306 401	4♠x N =	♦D	790	30 4	B 7	307 403	4♥	O -4 ♣D	400	20 14	B 8	308 405	5♦	O +1 ♣D	-620	1 33	B 9	309 407	4♦	O +2 ♥10	-170	18 16
Tbl	Paire	Contrat	Ent	Résultat	Score																																																																																																																																																																																																																																
A 1	101 201	3S	N +2 ♣5	460	27 7																																																																																																																																																																																																																																
A 3	103 204	3S	N +1 ♣5	430	18 16																																																																																																																																																																																																																																
A 4	104 206	3S	S +1 ♠V	430	18 16																																																																																																																																																																																																																																
A 5	105 208	3S	N +2 ♣5	460	27 7																																																																																																																																																																																																																																
A 6	106 210	4♥	S -1 ♠V	-50	7 27																																																																																																																																																																																																																																
A 7	107 203	4♥	S -1 ♠V	-50	7 27																																																																																																																																																																																																																																
A 8	108 205	3S	N +2 ♣5	460	27 7																																																																																																																																																																																																																																
A 9	109 207	3S	S -1 ♠5	-50	7 27																																																																																																																																																																																																																																
A 10	110 209	3S	N +3 ♣5	490	34 0																																																																																																																																																																																																																																
B 1	301 401	3S	N = ♣2	400	14 20																																																																																																																																																																																																																																
B 2	302 403	4♥	N -2 ♠7	-100	0 34																																																																																																																																																																																																																																
B 3	303 405	3S	N +1 ♣5	430	18 16																																																																																																																																																																																																																																
B 4	304 407	3S	N +2 ♥V	460	27 7																																																																																																																																																																																																																																
B 5	305 409	3S	N +2 ♣5	460	27 7																																																																																																																																																																																																																																
B 6	306 402	4♥	S -1 ♠V	-50	7 27																																																																																																																																																																																																																																
B 7	307 404	4♥	S -1 ♠5	-50	7 27																																																																																																																																																																																																																																
B 8	308 406	3S	N +2 ♣5	460	27 7																																																																																																																																																																																																																																
B 9	309 408	3S	S -1 ♠V	-50	7 27																																																																																																																																																																																																																																
Tbl	Paire	Contrat	Ent	Résultat	Score																																																																																																																																																																																																																																
A 1	101 210	4♠x N =	♦D	790	30 4																																																																																																																																																																																																																																
A 2	102 202	3♠x N +1	♠3	930	34 0																																																																																																																																																																																																																																
A 4	104 205	5♦	O = ♥10	-600	7 27																																																																																																																																																																																																																																
A 5	105 207	4♠	N = ♦D	620	24 10																																																																																																																																																																																																																																
A 6	106 209	4♠	N = ♦D	620	24 10																																																																																																																																																																																																																																
A 7	107 201	4♠x N =	♠3	790	30 4																																																																																																																																																																																																																																
A 8	108 204	5♠x N -1	♦D	-200	14 20																																																																																																																																																																																																																																
A 9	109 206	5♦	O = ♠A	-600	7 27																																																																																																																																																																																																																																
A 10	110 208	5♦	O = ♥10	-600	7 27																																																																																																																																																																																																																																
B 1	301 409	5♠x N -1	♦D	-200	14 20																																																																																																																																																																																																																																
B 2	302 402	5♦	O +1 ♠A	-620	1 33																																																																																																																																																																																																																																
B 3	303 404	5♦	O = ♥10	-600	7 27																																																																																																																																																																																																																																
B 4	304 406	4♠	N = ♦D	620	24 10																																																																																																																																																																																																																																
B 5	305 408	5♠x N -1	♦D	-200	14 20																																																																																																																																																																																																																																
B 6	306 401	4♠x N =	♦D	790	30 4																																																																																																																																																																																																																																
B 7	307 403	4♥	O -4 ♣D	400	20 14																																																																																																																																																																																																																																
B 8	308 405	5♦	O +1 ♣D	-620	1 33																																																																																																																																																																																																																																
B 9	309 407	4♦	O +2 ♥10	-170	18 16																																																																																																																																																																																																																																

# 04/06/2024 CHALLENGE FESTIVAL DE DEAUVILLE SEA Fréquences et scores

## Comité Aucune Division SEANCE 2 BCSH

19 tables, 38 paires. Nombre de donnes: 27. Moyenne: 459. Classement serpentín (6).

<p><b>5</b></p> <p>3 R876542 D982 4</p> <p>RDV9 108742 D103 A9 7653 A A8 R7632</p> <p>A65 V RV104 DV1095</p> <p>5♠ E -450</p> <table border="1"> <thead> <tr> <th></th> <th>♣</th> <th>♦</th> <th>♥</th> <th>♠</th> <th>S</th> </tr> </thead> <tbody> <tr> <td>NS</td> <td>4</td> <td>7</td> <td>8</td> <td>2</td> <td>4</td> </tr> <tr> <td>EO</td> <td>8</td> <td>5</td> <td>5</td> <td>11</td> <td>9</td> </tr> </tbody> </table>		♣	♦	♥	♠	S	NS	4	7	8	2	4	EO	8	5	5	11	9	<p><b>6</b></p> <p>--- RV1097 R7543 A62</p> <p>AV10 RD87652 52 D86 V98 A2 98743 R</p> <p>943 A43 D106 DV105</p> <p>6♠x E 800</p> <table border="1"> <thead> <tr> <th></th> <th>♣</th> <th>♦</th> <th>♥</th> <th>♠</th> <th>S</th> </tr> </thead> <tbody> <tr> <td>NS</td> <td>10</td> <td>12</td> <td>12</td> <td>4</td> <td>5</td> </tr> <tr> <td>EO</td> <td>3</td> <td>1</td> <td>1</td> <td>9</td> <td>4</td> </tr> </tbody> </table>		♣	♦	♥	♠	S	NS	10	12	12	4	5	EO	3	1	1	9	4																																																																																																																																																																																																
	♣	♦	♥	♠	S																																																																																																																																																																																																																																
NS	4	7	8	2	4																																																																																																																																																																																																																																
EO	8	5	5	11	9																																																																																																																																																																																																																																
	♣	♦	♥	♠	S																																																																																																																																																																																																																																
NS	10	12	12	4	5																																																																																																																																																																																																																																
EO	3	1	1	9	4																																																																																																																																																																																																																																
<table border="1"> <thead> <tr> <th>Tbl</th> <th>Paire</th> <th>Contrat</th> <th>Ent</th> <th>Résultat</th> <th>Score</th> </tr> </thead> <tbody> <tr><td>A 1</td><td>101 210</td><td>4♠ E +1</td><td>♥V</td><td>-450</td><td>7 27</td></tr> <tr><td>A 2</td><td>102 202</td><td>4♠ E +1</td><td>♣4</td><td>-450</td><td>7 27</td></tr> <tr><td>A 4</td><td>104 205</td><td>4♠ E =</td><td>♥V</td><td>-420</td><td>20 14</td></tr> <tr><td>A 5</td><td>105 207</td><td>2♥ N +1</td><td>♠2</td><td>140</td><td>34 0</td></tr> <tr><td>A 6</td><td>106 209</td><td>4♠x E +1</td><td>♥V</td><td>-690</td><td>0 34</td></tr> <tr><td>A 7</td><td>107 201</td><td>4♠ E =</td><td>♣D</td><td>-420</td><td>20 14</td></tr> <tr><td>A 8</td><td>108 204</td><td>4♠ E +1</td><td>♥V</td><td>-450</td><td>7 27</td></tr> <tr><td>A 9</td><td>109 206</td><td>5♠ E -1</td><td>♦V</td><td>50</td><td>31 3</td></tr> <tr><td>A 10</td><td>110 208</td><td>3♥ N -1</td><td>♦A</td><td>-100</td><td>28 6</td></tr> <tr><td>B 1</td><td>301 409</td><td>4♠ E =</td><td>♥V</td><td>-420</td><td>20 14</td></tr> <tr><td>B 2</td><td>302 402</td><td>6♠ O -1</td><td>♣4</td><td>50</td><td>31 3</td></tr> <tr><td>B 3</td><td>303 404</td><td>4♥ E +1</td><td>♥V</td><td>-450</td><td>7 27</td></tr> <tr><td>B 4</td><td>304 406</td><td>4♠ E =</td><td>♥V</td><td>-420</td><td>20 14</td></tr> <tr><td>B 5</td><td>305 408</td><td>4♠ E =</td><td>♥V</td><td>-420</td><td>20 14</td></tr> <tr><td>B 6</td><td>306 401</td><td>4♠ E +1</td><td>♣D</td><td>-450</td><td>7 27</td></tr> <tr><td>B 7</td><td>307 403</td><td>4♠ E =</td><td>♥V</td><td>-420</td><td>20 14</td></tr> <tr><td>B 8</td><td>308 405</td><td>4♠ E =</td><td>♥V</td><td>-420</td><td>20 14</td></tr> <tr><td>B 9</td><td>309 407</td><td>4♠ E +1</td><td>♥V</td><td>-450</td><td>7 27</td></tr> </tbody> </table>	Tbl	Paire	Contrat	Ent	Résultat	Score	A 1	101 210	4♠ E +1	♥V	-450	7 27	A 2	102 202	4♠ E +1	♣4	-450	7 27	A 4	104 205	4♠ E =	♥V	-420	20 14	A 5	105 207	2♥ N +1	♠2	140	34 0	A 6	106 209	4♠x E +1	♥V	-690	0 34	A 7	107 201	4♠ E =	♣D	-420	20 14	A 8	108 204	4♠ E +1	♥V	-450	7 27	A 9	109 206	5♠ E -1	♦V	50	31 3	A 10	110 208	3♥ N -1	♦A	-100	28 6	B 1	301 409	4♠ E =	♥V	-420	20 14	B 2	302 402	6♠ O -1	♣4	50	31 3	B 3	303 404	4♥ E +1	♥V	-450	7 27	B 4	304 406	4♠ E =	♥V	-420	20 14	B 5	305 408	4♠ E =	♥V	-420	20 14	B 6	306 401	4♠ E +1	♣D	-450	7 27	B 7	307 403	4♠ E =	♥V	-420	20 14	B 8	308 405	4♠ E =	♥V	-420	20 14	B 9	309 407	4♠ E +1	♥V	-450	7 27	<table border="1"> <thead> <tr> <th>Tbl</th> <th>Paire</th> <th>Contrat</th> <th>Ent</th> <th>Résultat</th> <th>Score</th> </tr> </thead> <tbody> <tr><td>A 1</td><td>101 210</td><td>4♠ E -1</td><td>♣D</td><td>100</td><td>24 10</td></tr> <tr><td>A 2</td><td>102 202</td><td>4♠ E =</td><td>♣D</td><td>-620</td><td>6 28</td></tr> <tr><td>A 4</td><td>104 205</td><td>5♠ E -2</td><td>♠3</td><td>200</td><td>28 6</td></tr> <tr><td>A 5</td><td>105 207</td><td>5♥ N -1</td><td>♠R</td><td>-50</td><td>16 18</td></tr> <tr><td>A 6</td><td>106 209</td><td>3♠x E =</td><td>♣D</td><td>-730</td><td>2 32</td></tr> <tr><td>A 7</td><td>107 201</td><td>4♠x E =</td><td>♣D</td><td>-790</td><td>0 34</td></tr> <tr><td>A 8</td><td>108 204</td><td>5♠ E -1</td><td>♦6</td><td>100</td><td>24 10</td></tr> <tr><td>A 9</td><td>109 206</td><td>4♥ N -1</td><td>♠R</td><td>-50</td><td>16 18</td></tr> <tr><td>A 10</td><td>110 208</td><td>5♥x N =</td><td>♠R</td><td>650</td><td>33 1</td></tr> <tr><td>B 1</td><td>301 409</td><td>5♥ S -1</td><td>♥5</td><td>-50</td><td>16 18</td></tr> <tr><td>B 2</td><td>302 402</td><td>4♠ E -1</td><td>♥A</td><td>100</td><td>24 10</td></tr> <tr><td>B 3</td><td>303 404</td><td>5♥x N =</td><td>♠R</td><td>650</td><td>33 1</td></tr> <tr><td>B 4</td><td>304 406</td><td>4♥ N +1</td><td>♠R</td><td>450</td><td>30 4</td></tr> <tr><td>B 5</td><td>305 408</td><td>3♠ E =</td><td>♣D</td><td>-140</td><td>10 24</td></tr> <tr><td>B 6</td><td>306 401</td><td>4♠ E =</td><td>♣D</td><td>-620</td><td>6 28</td></tr> <tr><td>B 7</td><td>307 403</td><td>5♥ N -1</td><td>♠R</td><td>-50</td><td>16 18</td></tr> <tr><td>B 8</td><td>308 405</td><td>5♥ S -1</td><td>♠A</td><td>-50</td><td>16 18</td></tr> <tr><td>B 9</td><td>309 407</td><td>4♠ E =</td><td>♥A</td><td>-620</td><td>6 28</td></tr> </tbody> </table>	Tbl	Paire	Contrat	Ent	Résultat	Score	A 1	101 210	4♠ E -1	♣D	100	24 10	A 2	102 202	4♠ E =	♣D	-620	6 28	A 4	104 205	5♠ E -2	♠3	200	28 6	A 5	105 207	5♥ N -1	♠R	-50	16 18	A 6	106 209	3♠x E =	♣D	-730	2 32	A 7	107 201	4♠x E =	♣D	-790	0 34	A 8	108 204	5♠ E -1	♦6	100	24 10	A 9	109 206	4♥ N -1	♠R	-50	16 18	A 10	110 208	5♥x N =	♠R	650	33 1	B 1	301 409	5♥ S -1	♥5	-50	16 18	B 2	302 402	4♠ E -1	♥A	100	24 10	B 3	303 404	5♥x N =	♠R	650	33 1	B 4	304 406	4♥ N +1	♠R	450	30 4	B 5	305 408	3♠ E =	♣D	-140	10 24	B 6	306 401	4♠ E =	♣D	-620	6 28	B 7	307 403	5♥ N -1	♠R	-50	16 18	B 8	308 405	5♥ S -1	♠A	-50	16 18	B 9	309 407	4♠ E =	♥A	-620	6 28
Tbl	Paire	Contrat	Ent	Résultat	Score																																																																																																																																																																																																																																
A 1	101 210	4♠ E +1	♥V	-450	7 27																																																																																																																																																																																																																																
A 2	102 202	4♠ E +1	♣4	-450	7 27																																																																																																																																																																																																																																
A 4	104 205	4♠ E =	♥V	-420	20 14																																																																																																																																																																																																																																
A 5	105 207	2♥ N +1	♠2	140	34 0																																																																																																																																																																																																																																
A 6	106 209	4♠x E +1	♥V	-690	0 34																																																																																																																																																																																																																																
A 7	107 201	4♠ E =	♣D	-420	20 14																																																																																																																																																																																																																																
A 8	108 204	4♠ E +1	♥V	-450	7 27																																																																																																																																																																																																																																
A 9	109 206	5♠ E -1	♦V	50	31 3																																																																																																																																																																																																																																
A 10	110 208	3♥ N -1	♦A	-100	28 6																																																																																																																																																																																																																																
B 1	301 409	4♠ E =	♥V	-420	20 14																																																																																																																																																																																																																																
B 2	302 402	6♠ O -1	♣4	50	31 3																																																																																																																																																																																																																																
B 3	303 404	4♥ E +1	♥V	-450	7 27																																																																																																																																																																																																																																
B 4	304 406	4♠ E =	♥V	-420	20 14																																																																																																																																																																																																																																
B 5	305 408	4♠ E =	♥V	-420	20 14																																																																																																																																																																																																																																
B 6	306 401	4♠ E +1	♣D	-450	7 27																																																																																																																																																																																																																																
B 7	307 403	4♠ E =	♥V	-420	20 14																																																																																																																																																																																																																																
B 8	308 405	4♠ E =	♥V	-420	20 14																																																																																																																																																																																																																																
B 9	309 407	4♠ E +1	♥V	-450	7 27																																																																																																																																																																																																																																
Tbl	Paire	Contrat	Ent	Résultat	Score																																																																																																																																																																																																																																
A 1	101 210	4♠ E -1	♣D	100	24 10																																																																																																																																																																																																																																
A 2	102 202	4♠ E =	♣D	-620	6 28																																																																																																																																																																																																																																
A 4	104 205	5♠ E -2	♠3	200	28 6																																																																																																																																																																																																																																
A 5	105 207	5♥ N -1	♠R	-50	16 18																																																																																																																																																																																																																																
A 6	106 209	3♠x E =	♣D	-730	2 32																																																																																																																																																																																																																																
A 7	107 201	4♠x E =	♣D	-790	0 34																																																																																																																																																																																																																																
A 8	108 204	5♠ E -1	♦6	100	24 10																																																																																																																																																																																																																																
A 9	109 206	4♥ N -1	♠R	-50	16 18																																																																																																																																																																																																																																
A 10	110 208	5♥x N =	♠R	650	33 1																																																																																																																																																																																																																																
B 1	301 409	5♥ S -1	♥5	-50	16 18																																																																																																																																																																																																																																
B 2	302 402	4♠ E -1	♥A	100	24 10																																																																																																																																																																																																																																
B 3	303 404	5♥x N =	♠R	650	33 1																																																																																																																																																																																																																																
B 4	304 406	4♥ N +1	♠R	450	30 4																																																																																																																																																																																																																																
B 5	305 408	3♠ E =	♣D	-140	10 24																																																																																																																																																																																																																																
B 6	306 401	4♠ E =	♣D	-620	6 28																																																																																																																																																																																																																																
B 7	307 403	5♥ N -1	♠R	-50	16 18																																																																																																																																																																																																																																
B 8	308 405	5♥ S -1	♠A	-50	16 18																																																																																																																																																																																																																																
B 9	309 407	4♠ E =	♥A	-620	6 28																																																																																																																																																																																																																																

# 04/06/2024 CHALLENGE FESTIVAL DE DEAUVILLE SEA Fréquences et scores

## Comité Aucune Division SEANCE 2 BCSH


19 tables, 38 paires. Nombre de donnes: 27. Moyenne: 459. Classement serpentín (6).

<p><b>7</b></p> <p>AV2 AD104 RD95 AR</p> <p>10965 V9862 10 V74</p> <p>D84 R A642 D9862</p> <p>R73 753 V873 1053</p> <p>4S S 630</p> <table border="1"> <thead> <tr> <th></th> <th>♣</th> <th>♦</th> <th>♥</th> <th>♠</th> <th>S</th> </tr> </thead> <tbody> <tr> <td>NS</td> <td>8</td> <td>10</td> <td>9</td> <td>9</td> <td>10</td> </tr> <tr> <td>EO</td> <td>5</td> <td>3</td> <td>4</td> <td>4</td> <td>3</td> </tr> </tbody> </table>		♣	♦	♥	♠	S	NS	8	10	9	9	10	EO	5	3	4	4	3	<p><b>8</b></p> <p>V75 RV83 RD75 V5</p> <p>3 104 V62 ARD8743</p> <p>R864 A65 A10984 10</p> <p>AD1092 D972 3 962</p> <p>4♥x N -300</p> <table border="1"> <thead> <tr> <th></th> <th>♣</th> <th>♦</th> <th>♥</th> <th>♠</th> <th>S</th> </tr> </thead> <tbody> <tr> <td>NS</td> <td>2</td> <td>3</td> <td>8</td> <td>8</td> <td>4</td> </tr> <tr> <td>EO</td> <td>10</td> <td>10</td> <td>4</td> <td>5</td> <td>9</td> </tr> </tbody> </table>		♣	♦	♥	♠	S	NS	2	3	8	8	4	EO	10	10	4	5	9																																																																																																																																																																																																
	♣	♦	♥	♠	S																																																																																																																																																																																																																																
NS	8	10	9	9	10																																																																																																																																																																																																																																
EO	5	3	4	4	3																																																																																																																																																																																																																																
	♣	♦	♥	♠	S																																																																																																																																																																																																																																
NS	2	3	8	8	4																																																																																																																																																																																																																																
EO	10	10	4	5	9																																																																																																																																																																																																																																
<table border="1"> <thead> <tr> <th>Tbl</th> <th>Paire</th> <th>Contrat</th> <th>Ent</th> <th>Résultat</th> <th>Score</th> </tr> </thead> <tbody> <tr><td>A 1</td><td>101 209</td><td>3S N +2 ♣6</td><td></td><td>660</td><td>32 2</td></tr> <tr><td>A 2</td><td>102 201</td><td>2S N -1 ♣6</td><td></td><td>-100</td><td>9 25</td></tr> <tr><td>A 3</td><td>103 203</td><td>3S N -1 ♣6</td><td></td><td>-100</td><td>9 25</td></tr> <tr><td>A 5</td><td>105 206</td><td>3S N = ♣6</td><td></td><td>600</td><td>20 14</td></tr> <tr><td>A 6</td><td>106 208</td><td>3S N -1 ♣6</td><td></td><td>-100</td><td>9 25</td></tr> <tr><td>A 7</td><td>107 210</td><td>3S N = ♣6</td><td></td><td>600</td><td>20 14</td></tr> <tr><td>A 8</td><td>108 202</td><td>3S N +2 ♣6</td><td></td><td>660</td><td>32 2</td></tr> <tr><td>A 9</td><td>109 205</td><td>3S N -1 ♣6</td><td></td><td>-100</td><td>9 25</td></tr> <tr><td>A 10</td><td>110 207</td><td>3S N +1 ♣7</td><td></td><td>630</td><td>26 8</td></tr> <tr><td>B 1</td><td>301 408</td><td>3S N +1 ♣6</td><td></td><td>630</td><td>26 8</td></tr> <tr><td>B 2</td><td>302 401</td><td>3S N +1 ♣6</td><td></td><td>630</td><td>26 8</td></tr> <tr><td>B 3</td><td>303 403</td><td>3S N = ♣6</td><td></td><td>600</td><td>20 14</td></tr> <tr><td>B 4</td><td>304 405</td><td>3S N +2 ♣6</td><td></td><td>660</td><td>32 2</td></tr> <tr><td>B 5</td><td>305 407</td><td>3S N -2 ♣9</td><td></td><td>-200</td><td>0 34</td></tr> <tr><td>B 6</td><td>306 409</td><td>3S N -1 ♣6</td><td></td><td>-100</td><td>9 25</td></tr> <tr><td>B 7</td><td>307 402</td><td>3S N -1 ♣6</td><td></td><td>-100</td><td>9 25</td></tr> <tr><td>B 8</td><td>308 404</td><td>3S N -1 ♣6</td><td></td><td>-100</td><td>9 25</td></tr> <tr><td>B 9</td><td>309 406</td><td>3S N -1 ♣6</td><td></td><td>-100</td><td>9 25</td></tr> </tbody> </table>	Tbl	Paire	Contrat	Ent	Résultat	Score	A 1	101 209	3S N +2 ♣6		660	32 2	A 2	102 201	2S N -1 ♣6		-100	9 25	A 3	103 203	3S N -1 ♣6		-100	9 25	A 5	105 206	3S N = ♣6		600	20 14	A 6	106 208	3S N -1 ♣6		-100	9 25	A 7	107 210	3S N = ♣6		600	20 14	A 8	108 202	3S N +2 ♣6		660	32 2	A 9	109 205	3S N -1 ♣6		-100	9 25	A 10	110 207	3S N +1 ♣7		630	26 8	B 1	301 408	3S N +1 ♣6		630	26 8	B 2	302 401	3S N +1 ♣6		630	26 8	B 3	303 403	3S N = ♣6		600	20 14	B 4	304 405	3S N +2 ♣6		660	32 2	B 5	305 407	3S N -2 ♣9		-200	0 34	B 6	306 409	3S N -1 ♣6		-100	9 25	B 7	307 402	3S N -1 ♣6		-100	9 25	B 8	308 404	3S N -1 ♣6		-100	9 25	B 9	309 406	3S N -1 ♣6		-100	9 25	<table border="1"> <thead> <tr> <th>Tbl</th> <th>Paire</th> <th>Contrat</th> <th>Ent</th> <th>Résultat</th> <th>Score</th> </tr> </thead> <tbody> <tr><td>A 1</td><td>101 209</td><td>3♣ O +1 ♥8</td><td></td><td>-130</td><td>22 12</td></tr> <tr><td>A 2</td><td>102 201</td><td>3S E = ♥7</td><td></td><td>-400</td><td>5 29</td></tr> <tr><td>A 3</td><td>103 203</td><td>4♥ S -1 ♣6</td><td></td><td>-50</td><td>30 4</td></tr> <tr><td>A 5</td><td>105 206</td><td>3S O +1 ♦5</td><td></td><td>-430</td><td>2 32</td></tr> <tr><td>A 6</td><td>106 208</td><td>3♥ N = ♣10</td><td>140</td><td></td><td>33 1</td></tr> <tr><td>A 7</td><td>107 210</td><td>4♠x S -2 ♣A</td><td></td><td>-300</td><td>9 25</td></tr> <tr><td>A 8</td><td>108 202</td><td>4♣x O +1 ♣6</td><td></td><td>-610</td><td>0 34</td></tr> <tr><td>A 9</td><td>109 205</td><td>4♠ S -2 ♣A</td><td></td><td>-100</td><td>27 7</td></tr> <tr><td>A 10</td><td>110 207</td><td>4♠ S -2 ♣A</td><td></td><td>-100</td><td>27 7</td></tr> <tr><td>B 1</td><td>301 408</td><td>3S O = ♦D</td><td></td><td>-400</td><td>5 29</td></tr> <tr><td>B 2</td><td>302 401</td><td>4♠x S -2 ♣R</td><td></td><td>-300</td><td>9 25</td></tr> <tr><td>B 3</td><td>303 403</td><td>4♣ O +1 ♠5</td><td></td><td>-150</td><td>15 19</td></tr> <tr><td>B 4</td><td>304 405</td><td>4♣ O +1 ♠5</td><td></td><td>-150</td><td>15 19</td></tr> <tr><td>B 5</td><td>305 407</td><td>3♣ O +1 ♦R</td><td></td><td>-130</td><td>22 12</td></tr> <tr><td>B 6</td><td>306 409</td><td>3♠ S = ♣A</td><td>140</td><td></td><td>33 1</td></tr> <tr><td>B 7</td><td>307 402</td><td>4♣ O +1 ♦R</td><td></td><td>-150</td><td>15 19</td></tr> <tr><td>B 8</td><td>308 404</td><td>3♣ O +1 ♦R</td><td></td><td>-130</td><td>22 12</td></tr> <tr><td>B 9</td><td>309 406</td><td>3♣ O +2 ♦R</td><td></td><td>-150</td><td>15 19</td></tr> </tbody> </table>	Tbl	Paire	Contrat	Ent	Résultat	Score	A 1	101 209	3♣ O +1 ♥8		-130	22 12	A 2	102 201	3S E = ♥7		-400	5 29	A 3	103 203	4♥ S -1 ♣6		-50	30 4	A 5	105 206	3S O +1 ♦5		-430	2 32	A 6	106 208	3♥ N = ♣10	140		33 1	A 7	107 210	4♠x S -2 ♣A		-300	9 25	A 8	108 202	4♣x O +1 ♣6		-610	0 34	A 9	109 205	4♠ S -2 ♣A		-100	27 7	A 10	110 207	4♠ S -2 ♣A		-100	27 7	B 1	301 408	3S O = ♦D		-400	5 29	B 2	302 401	4♠x S -2 ♣R		-300	9 25	B 3	303 403	4♣ O +1 ♠5		-150	15 19	B 4	304 405	4♣ O +1 ♠5		-150	15 19	B 5	305 407	3♣ O +1 ♦R		-130	22 12	B 6	306 409	3♠ S = ♣A	140		33 1	B 7	307 402	4♣ O +1 ♦R		-150	15 19	B 8	308 404	3♣ O +1 ♦R		-130	22 12	B 9	309 406	3♣ O +2 ♦R		-150	15 19
Tbl	Paire	Contrat	Ent	Résultat	Score																																																																																																																																																																																																																																
A 1	101 209	3S N +2 ♣6		660	32 2																																																																																																																																																																																																																																
A 2	102 201	2S N -1 ♣6		-100	9 25																																																																																																																																																																																																																																
A 3	103 203	3S N -1 ♣6		-100	9 25																																																																																																																																																																																																																																
A 5	105 206	3S N = ♣6		600	20 14																																																																																																																																																																																																																																
A 6	106 208	3S N -1 ♣6		-100	9 25																																																																																																																																																																																																																																
A 7	107 210	3S N = ♣6		600	20 14																																																																																																																																																																																																																																
A 8	108 202	3S N +2 ♣6		660	32 2																																																																																																																																																																																																																																
A 9	109 205	3S N -1 ♣6		-100	9 25																																																																																																																																																																																																																																
A 10	110 207	3S N +1 ♣7		630	26 8																																																																																																																																																																																																																																
B 1	301 408	3S N +1 ♣6		630	26 8																																																																																																																																																																																																																																
B 2	302 401	3S N +1 ♣6		630	26 8																																																																																																																																																																																																																																
B 3	303 403	3S N = ♣6		600	20 14																																																																																																																																																																																																																																
B 4	304 405	3S N +2 ♣6		660	32 2																																																																																																																																																																																																																																
B 5	305 407	3S N -2 ♣9		-200	0 34																																																																																																																																																																																																																																
B 6	306 409	3S N -1 ♣6		-100	9 25																																																																																																																																																																																																																																
B 7	307 402	3S N -1 ♣6		-100	9 25																																																																																																																																																																																																																																
B 8	308 404	3S N -1 ♣6		-100	9 25																																																																																																																																																																																																																																
B 9	309 406	3S N -1 ♣6		-100	9 25																																																																																																																																																																																																																																
Tbl	Paire	Contrat	Ent	Résultat	Score																																																																																																																																																																																																																																
A 1	101 209	3♣ O +1 ♥8		-130	22 12																																																																																																																																																																																																																																
A 2	102 201	3S E = ♥7		-400	5 29																																																																																																																																																																																																																																
A 3	103 203	4♥ S -1 ♣6		-50	30 4																																																																																																																																																																																																																																
A 5	105 206	3S O +1 ♦5		-430	2 32																																																																																																																																																																																																																																
A 6	106 208	3♥ N = ♣10	140		33 1																																																																																																																																																																																																																																
A 7	107 210	4♠x S -2 ♣A		-300	9 25																																																																																																																																																																																																																																
A 8	108 202	4♣x O +1 ♣6		-610	0 34																																																																																																																																																																																																																																
A 9	109 205	4♠ S -2 ♣A		-100	27 7																																																																																																																																																																																																																																
A 10	110 207	4♠ S -2 ♣A		-100	27 7																																																																																																																																																																																																																																
B 1	301 408	3S O = ♦D		-400	5 29																																																																																																																																																																																																																																
B 2	302 401	4♠x S -2 ♣R		-300	9 25																																																																																																																																																																																																																																
B 3	303 403	4♣ O +1 ♠5		-150	15 19																																																																																																																																																																																																																																
B 4	304 405	4♣ O +1 ♠5		-150	15 19																																																																																																																																																																																																																																
B 5	305 407	3♣ O +1 ♦R		-130	22 12																																																																																																																																																																																																																																
B 6	306 409	3♠ S = ♣A	140		33 1																																																																																																																																																																																																																																
B 7	307 402	4♣ O +1 ♦R		-150	15 19																																																																																																																																																																																																																																
B 8	308 404	3♣ O +1 ♦R		-130	22 12																																																																																																																																																																																																																																
B 9	309 406	3♣ O +2 ♦R		-150	15 19																																																																																																																																																																																																																																

# 04/06/2024 CHALLENGE FESTIVAL DE DEAUVILLE SEA Fréquences et scores

## Comité Aucune Division SEANCE 2 BCSH

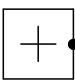
19 tables, 38 paires. Nombre de donnes: 27. Moyenne: 459. Classement serpentín (6).

**9** V10964  
43  
AV7  
RV2  
ARD852 7  
D65  RV92  
5 D1032  
1073 9865  
3  
A1087  
R9864  
AD4

4♦ N 130

	♣	♦	♥	♠	S
NS	7	10	7	7	8
EO	5	3	5	6	5

Tbl	Paire	Contrat	Ent	Résultat	Score
A 1	101 209	2♠x O -3 ♣2		800	34 0
A 2	102 201	2S N +1 ♠7		150	17 17
A 3	103 203	2♠ O -2 ♥4		200	22 12
A 5	105 206	2♠x O -2 ♦A		500	29 5
A 6	106 208	2S N = ♠7		120	12 22
A 7	107 210	3S S -1 ♣7		-50	7 27
A 8	108 202	2♠x O -2 ♠V		500	29 5
A 9	109 205	3♦ S -1 ♠A		-50	7 27
A 10	110 207	1♠ O = ♥4		-80	4 30
B 1	301 408	3♠ O -2 ♥4		200	22 12
B 2	302 401	3♠ O -2 ♥4		200	22 12
B 3	303 403	2♠x O -2 ♦A		500	29 5
B 4	304 405	3♦ S = ♠A		110	10 24
B 5	305 407	2♠x O -2 ♦A		500	29 5
B 6	306 409	1S N -2 ♥2		-100	2 32
B 7	307 402	2♠ O = ♥4		-110	0 34
B 8	308 404	1S N +2 ♣9		150	17 17
B 9	309 406	3♦ S +1 ♠A		130	14 20

**10** 95  
6  
976543  
D1072  
1083 RD762  
RV1092  A84  
V108 AR  
V4 AR8  
AV4  
D753  
D2  
9653

5S E -660

	♣	♦	♥	♠	S
NS	5	6	2	2	2
EO	8	7	11	10	11

Tbl	Paire	Contrat	Ent	Résultat	Score
A 1	101 208	4♥ E +1 ♣6		-650	16 18
A 2	102 210	4♠ E +1 ♥3		-650	16 18
A 3	103 202	4♠ E = ♣6		-620	28 6
A 4	104 204	3S E +3 ♣9		-690	0 34
A 6	106 207	3S E +2 ♥3		-660	7 27
A 7	107 209	4♠ E +2 ♣5		-680	3 31
A 8	108 201	4♥ E +2 ♣9		-680	3 31
A 9	109 203	4♠ E +1 ♣6		-650	16 18
A 10	110 206	5♥ E = ♠A		-650	16 18
B 1	301 407	4♠ E +1 ♣6		-650	16 18
B 2	302 409	6♠ E -2 ♣6	200	31 3	
B 3	303 402	3S E +1 ♣3		-630	25 9
B 4	304 404	6♠x E -2 ♥D	500	34 0	
B 5	305 406	3S E +1 ♣6		-630	25 9
B 6	306 408	6♠ E -2 ♥5	200	31 3	
B 7	307 401	4♥ E +1 ♣5		-650	16 18
B 8	308 403	4♠ E +1 ♣6		-650	16 18
B 9	309 405	4S E +1 ♥3		-660	7 27

# 04/06/2024 CHALLENGE FESTIVAL DE DEAUVILLE SEA Fréquences et scores

## Comité Aucune Division SEANCE 2 BCSH

19 tables, 38 paires. Nombre de donnes: 27. Moyenne: 459. Classement serpentín (6).

<p><b>11</b></p> <p>D108 3 D974 DV1063</p> <p>R97            A432 RD109        A64 AR10         65 874            AR92</p> <p>V65 V8752 V832 5</p> <p>5S O -460</p> <table style="width: 100%; text-align: center;"> <tr> <td></td> <td>♣</td> <td>♦</td> <td>♥</td> <td>♠</td> <td>S</td> </tr> <tr> <td>NS</td> <td>3</td> <td>5</td> <td>2</td> <td>2</td> <td>2</td> </tr> <tr> <td>EO</td> <td>10</td> <td>8</td> <td>10</td> <td>11</td> <td>11</td> </tr> </table>		♣	♦	♥	♠	S	NS	3	5	2	2	2	EO	10	8	10	11	11	<p><b>12</b></p> <p>AV A2 AV105 DV987</p> <p>D8                    R109765 DV109               74 D764                932 AR5                  102</p> <p>432 R8653 R8 643</p> <p>4♣ N 130</p> <table style="width: 100%; text-align: center;"> <tr> <td></td> <td>♣</td> <td>♦</td> <td>♥</td> <td>♠</td> <td>S</td> </tr> <tr> <td>NS</td> <td>10</td> <td>8</td> <td>8</td> <td>6</td> <td>8</td> </tr> <tr> <td>EO</td> <td>3</td> <td>4</td> <td>5</td> <td>7</td> <td>4</td> </tr> </table>		♣	♦	♥	♠	S	NS	10	8	8	6	8	EO	3	4	5	7	4																																																																																																																																																																																																
	♣	♦	♥	♠	S																																																																																																																																																																																																																																
NS	3	5	2	2	2																																																																																																																																																																																																																																
EO	10	8	10	11	11																																																																																																																																																																																																																																
	♣	♦	♥	♠	S																																																																																																																																																																																																																																
NS	10	8	8	6	8																																																																																																																																																																																																																																
EO	3	4	5	7	4																																																																																																																																																																																																																																
<table style="width: 100%; border-collapse: collapse;"> <thead> <tr> <th>Tbl</th> <th>Paire</th> <th>Contrat</th> <th>Ent</th> <th>Résultat</th> <th>Score</th> </tr> </thead> <tbody> <tr><td>A 1</td><td>101 208</td><td>3S</td><td>O +2 ♣D</td><td>-460</td><td>16 18</td></tr> <tr><td>A 2</td><td>102 210</td><td>3S</td><td>O +3 ♣D</td><td>-490</td><td>2 32</td></tr> <tr><td>A 3</td><td>103 202</td><td>6S</td><td>O -1 ♣D</td><td>50</td><td>34 0</td></tr> <tr><td>A 4</td><td>104 204</td><td>3S</td><td>O +2 ♣D</td><td>-460</td><td>16 18</td></tr> <tr><td>A 6</td><td>106 207</td><td>3S</td><td>O +2 ♣D</td><td>-460</td><td>16 18</td></tr> <tr><td>A 7</td><td>107 209</td><td>5S</td><td>O = ♣D</td><td>-460</td><td>16 18</td></tr> <tr><td>A 8</td><td>108 201</td><td>3S</td><td>O +2 ♣D</td><td>-460</td><td>16 18</td></tr> <tr><td>A 9</td><td>109 203</td><td>3S</td><td>O +2 ♣D</td><td>-460</td><td>16 18</td></tr> <tr><td>A 10</td><td>110 206</td><td>3S</td><td>O +2 ♣D</td><td>-460</td><td>16 18</td></tr> <tr><td>B 1</td><td>301 407</td><td>4♠</td><td>E = ♣5</td><td>-420</td><td>32 2</td></tr> <tr><td>B 2</td><td>302 409</td><td>3S</td><td>O +2 ♣D</td><td>-460</td><td>16 18</td></tr> <tr><td>B 3</td><td>303 402</td><td>3S</td><td>O +3 ♣D</td><td>-490</td><td>2 32</td></tr> <tr><td>B 4</td><td>304 404</td><td>3S</td><td>O +1 ♣D</td><td>-430</td><td>29 5</td></tr> <tr><td>B 5</td><td>305 406</td><td>3S</td><td>O +1 ♣D</td><td>-430</td><td>29 5</td></tr> <tr><td>B 6</td><td>306 408</td><td>3S</td><td>O +3 ♣D</td><td>-490</td><td>2 32</td></tr> <tr><td>B 7</td><td>307 401</td><td>3S</td><td>O +2 ♣D</td><td>-460</td><td>16 18</td></tr> <tr><td>B 8</td><td>308 403</td><td>4S</td><td>O +1 ♣D</td><td>-460</td><td>16 18</td></tr> <tr><td>B 9</td><td>309 405</td><td>3S</td><td>O +2 ♣D</td><td>-460</td><td>16 18</td></tr> </tbody> </table>	Tbl	Paire	Contrat	Ent	Résultat	Score	A 1	101 208	3S	O +2 ♣D	-460	16 18	A 2	102 210	3S	O +3 ♣D	-490	2 32	A 3	103 202	6S	O -1 ♣D	50	34 0	A 4	104 204	3S	O +2 ♣D	-460	16 18	A 6	106 207	3S	O +2 ♣D	-460	16 18	A 7	107 209	5S	O = ♣D	-460	16 18	A 8	108 201	3S	O +2 ♣D	-460	16 18	A 9	109 203	3S	O +2 ♣D	-460	16 18	A 10	110 206	3S	O +2 ♣D	-460	16 18	B 1	301 407	4♠	E = ♣5	-420	32 2	B 2	302 409	3S	O +2 ♣D	-460	16 18	B 3	303 402	3S	O +3 ♣D	-490	2 32	B 4	304 404	3S	O +1 ♣D	-430	29 5	B 5	305 406	3S	O +1 ♣D	-430	29 5	B 6	306 408	3S	O +3 ♣D	-490	2 32	B 7	307 401	3S	O +2 ♣D	-460	16 18	B 8	308 403	4S	O +1 ♣D	-460	16 18	B 9	309 405	3S	O +2 ♣D	-460	16 18	<table style="width: 100%; border-collapse: collapse;"> <thead> <tr> <th>Tbl</th> <th>Paire</th> <th>Contrat</th> <th>Ent</th> <th>Résultat</th> <th>Score</th> </tr> </thead> <tbody> <tr><td>A 1</td><td>101 208</td><td>2♠</td><td>O -1 ♣D</td><td>50</td><td>14 20</td></tr> <tr><td>A 2</td><td>102 210</td><td>3♣</td><td>N = ♦2</td><td>110</td><td>21 13</td></tr> <tr><td>A 3</td><td>103 202</td><td>3♣</td><td>N +1 ♥7</td><td>130</td><td>28 6</td></tr> <tr><td>A 4</td><td>104 204</td><td>3S</td><td>N = ♦2</td><td>600</td><td>33 1</td></tr> <tr><td>A 6</td><td>106 207</td><td>4♥</td><td>S -3 ♣A</td><td>-300</td><td>3 31</td></tr> <tr><td>A 7</td><td>107 209</td><td>2♥</td><td>N = ♦2</td><td>110</td><td>21 13</td></tr> <tr><td>A 8</td><td>108 201</td><td>3♥x</td><td>S -2 ♣A</td><td>-500</td><td>0 34</td></tr> <tr><td>A 9</td><td>109 203</td><td>2S</td><td>N -1 ♠7</td><td>-100</td><td>9 25</td></tr> <tr><td>A 10</td><td>110 206</td><td>2♠</td><td>O -1 ♣D</td><td>50</td><td>14 20</td></tr> <tr><td>B 1</td><td>301 407</td><td>3♥</td><td>S -1 ♠D</td><td>-100</td><td>9 25</td></tr> <tr><td>B 2</td><td>302 409</td><td>2♠</td><td>E = ♦R</td><td>-110</td><td>6 28</td></tr> <tr><td>B 3</td><td>303 402</td><td>2♥</td><td>N = ♣10</td><td>110</td><td>21 13</td></tr> <tr><td>B 4</td><td>304 404</td><td>3S</td><td>N -3 ♠7</td><td>-300</td><td>3 31</td></tr> <tr><td>B 5</td><td>305 406</td><td>3S</td><td>N = ♠10</td><td>600</td><td>33 1</td></tr> <tr><td>B 6</td><td>306 408</td><td>2♠</td><td>E -1 ♣3</td><td>50</td><td>14 20</td></tr> <tr><td>B 7</td><td>307 401</td><td>2♣</td><td>N +1 ♠10</td><td>110</td><td>21 13</td></tr> <tr><td>B 8</td><td>308 403</td><td>3♣</td><td>N +1 ♠10</td><td>130</td><td>28 6</td></tr> <tr><td>B 9</td><td>309 405</td><td>2♣</td><td>N +2 ♦2</td><td>130</td><td>28 6</td></tr> </tbody> </table>	Tbl	Paire	Contrat	Ent	Résultat	Score	A 1	101 208	2♠	O -1 ♣D	50	14 20	A 2	102 210	3♣	N = ♦2	110	21 13	A 3	103 202	3♣	N +1 ♥7	130	28 6	A 4	104 204	3S	N = ♦2	600	33 1	A 6	106 207	4♥	S -3 ♣A	-300	3 31	A 7	107 209	2♥	N = ♦2	110	21 13	A 8	108 201	3♥x	S -2 ♣A	-500	0 34	A 9	109 203	2S	N -1 ♠7	-100	9 25	A 10	110 206	2♠	O -1 ♣D	50	14 20	B 1	301 407	3♥	S -1 ♠D	-100	9 25	B 2	302 409	2♠	E = ♦R	-110	6 28	B 3	303 402	2♥	N = ♣10	110	21 13	B 4	304 404	3S	N -3 ♠7	-300	3 31	B 5	305 406	3S	N = ♠10	600	33 1	B 6	306 408	2♠	E -1 ♣3	50	14 20	B 7	307 401	2♣	N +1 ♠10	110	21 13	B 8	308 403	3♣	N +1 ♠10	130	28 6	B 9	309 405	2♣	N +2 ♦2	130	28 6
Tbl	Paire	Contrat	Ent	Résultat	Score																																																																																																																																																																																																																																
A 1	101 208	3S	O +2 ♣D	-460	16 18																																																																																																																																																																																																																																
A 2	102 210	3S	O +3 ♣D	-490	2 32																																																																																																																																																																																																																																
A 3	103 202	6S	O -1 ♣D	50	34 0																																																																																																																																																																																																																																
A 4	104 204	3S	O +2 ♣D	-460	16 18																																																																																																																																																																																																																																
A 6	106 207	3S	O +2 ♣D	-460	16 18																																																																																																																																																																																																																																
A 7	107 209	5S	O = ♣D	-460	16 18																																																																																																																																																																																																																																
A 8	108 201	3S	O +2 ♣D	-460	16 18																																																																																																																																																																																																																																
A 9	109 203	3S	O +2 ♣D	-460	16 18																																																																																																																																																																																																																																
A 10	110 206	3S	O +2 ♣D	-460	16 18																																																																																																																																																																																																																																
B 1	301 407	4♠	E = ♣5	-420	32 2																																																																																																																																																																																																																																
B 2	302 409	3S	O +2 ♣D	-460	16 18																																																																																																																																																																																																																																
B 3	303 402	3S	O +3 ♣D	-490	2 32																																																																																																																																																																																																																																
B 4	304 404	3S	O +1 ♣D	-430	29 5																																																																																																																																																																																																																																
B 5	305 406	3S	O +1 ♣D	-430	29 5																																																																																																																																																																																																																																
B 6	306 408	3S	O +3 ♣D	-490	2 32																																																																																																																																																																																																																																
B 7	307 401	3S	O +2 ♣D	-460	16 18																																																																																																																																																																																																																																
B 8	308 403	4S	O +1 ♣D	-460	16 18																																																																																																																																																																																																																																
B 9	309 405	3S	O +2 ♣D	-460	16 18																																																																																																																																																																																																																																
Tbl	Paire	Contrat	Ent	Résultat	Score																																																																																																																																																																																																																																
A 1	101 208	2♠	O -1 ♣D	50	14 20																																																																																																																																																																																																																																
A 2	102 210	3♣	N = ♦2	110	21 13																																																																																																																																																																																																																																
A 3	103 202	3♣	N +1 ♥7	130	28 6																																																																																																																																																																																																																																
A 4	104 204	3S	N = ♦2	600	33 1																																																																																																																																																																																																																																
A 6	106 207	4♥	S -3 ♣A	-300	3 31																																																																																																																																																																																																																																
A 7	107 209	2♥	N = ♦2	110	21 13																																																																																																																																																																																																																																
A 8	108 201	3♥x	S -2 ♣A	-500	0 34																																																																																																																																																																																																																																
A 9	109 203	2S	N -1 ♠7	-100	9 25																																																																																																																																																																																																																																
A 10	110 206	2♠	O -1 ♣D	50	14 20																																																																																																																																																																																																																																
B 1	301 407	3♥	S -1 ♠D	-100	9 25																																																																																																																																																																																																																																
B 2	302 409	2♠	E = ♦R	-110	6 28																																																																																																																																																																																																																																
B 3	303 402	2♥	N = ♣10	110	21 13																																																																																																																																																																																																																																
B 4	304 404	3S	N -3 ♠7	-300	3 31																																																																																																																																																																																																																																
B 5	305 406	3S	N = ♠10	600	33 1																																																																																																																																																																																																																																
B 6	306 408	2♠	E -1 ♣3	50	14 20																																																																																																																																																																																																																																
B 7	307 401	2♣	N +1 ♠10	110	21 13																																																																																																																																																																																																																																
B 8	308 403	3♣	N +1 ♠10	130	28 6																																																																																																																																																																																																																																
B 9	309 405	2♣	N +2 ♦2	130	28 6																																																																																																																																																																																																																																

# 04/06/2024 CHALLENGE FESTIVAL DE DEAUVILLE SEA Fréquences et scores

## Comité Aucune Division SEANCE 2 BCSH

19 tables, 38 paires. Nombre de donnes: 27. Moyenne: 459. Classement serpentín (6).

<p><b>13</b></p> <p>76 965 V954 9543</p> <p>V9832 A4 76 RD107</p> <p>D RDV73 RD103 V86</p> <p>AR1054 1082 A82 A2</p> <p>4♥ E -620</p> <table border="1"> <thead> <tr> <th></th> <th>♣</th> <th>♦</th> <th>♥</th> <th>♠</th> <th>S</th> </tr> </thead> <tbody> <tr> <td>NS</td> <td>3</td> <td>4</td> <td>3</td> <td>5</td> <td>4</td> </tr> <tr> <td>EO</td> <td>9</td> <td>8</td> <td>10</td> <td>8</td> <td>9</td> </tr> </tbody> </table>		♣	♦	♥	♠	S	NS	3	4	3	5	4	EO	9	8	10	8	9	<p><b>14</b></p> <p>843 V9876 95 R53</p> <p>R65 RD53 RD106 102</p> <p>DV9 --- AV873 AV876</p> <p>A1072 A1042 42 D94</p> <p>5♦ E -400</p> <table border="1"> <thead> <tr> <th></th> <th>♣</th> <th>♦</th> <th>♥</th> <th>♠</th> <th>S</th> </tr> </thead> <tbody> <tr> <td>NS</td> <td>3</td> <td>2</td> <td>5</td> <td>4</td> <td>4</td> </tr> <tr> <td>EO</td> <td>10</td> <td>11</td> <td>8</td> <td>8</td> <td>9</td> </tr> </tbody> </table>		♣	♦	♥	♠	S	NS	3	2	5	4	4	EO	10	11	8	8	9																																																																																																																																																																																																
	♣	♦	♥	♠	S																																																																																																																																																																																																																																
NS	3	4	3	5	4																																																																																																																																																																																																																																
EO	9	8	10	8	9																																																																																																																																																																																																																																
	♣	♦	♥	♠	S																																																																																																																																																																																																																																
NS	3	2	5	4	4																																																																																																																																																																																																																																
EO	10	11	8	8	9																																																																																																																																																																																																																																
<table border="1"> <thead> <tr> <th>Tbl</th> <th>Paire</th> <th>Contrat</th> <th>Ent</th> <th>Résultat</th> <th>Score</th> </tr> </thead> <tbody> <tr><td>A 1</td><td>101 207</td><td>2♠ S -2</td><td>♥A</td><td>-200</td><td>4 30</td></tr> <tr><td>A 2</td><td>102 209</td><td>3S E -1</td><td>♠A</td><td>100</td><td>32 2</td></tr> <tr><td>A 3</td><td>103 201</td><td>1♠x N =</td><td>♥A</td><td>160</td><td>34 0</td></tr> <tr><td>A 4</td><td>104 203</td><td>2S O +2</td><td>♠7</td><td>-180</td><td>8 26</td></tr> <tr><td>A 5</td><td>105 205</td><td>2♥ E +1</td><td>♠A</td><td>-140</td><td>27 7</td></tr> <tr><td>A 7</td><td>107 208</td><td>2♥ E +2</td><td>♠A</td><td>-170</td><td>16 18</td></tr> <tr><td>A 8</td><td>108 210</td><td>2♥ E +2</td><td>♣A</td><td>-170</td><td>16 18</td></tr> <tr><td>A 9</td><td>109 202</td><td>1S O +2</td><td>♠7</td><td>-150</td><td>23 11</td></tr> <tr><td>A 10</td><td>110 204</td><td>2♥ E +2</td><td>♠A</td><td>-170</td><td>16 18</td></tr> <tr><td>B 1</td><td>301 406</td><td>2♥ E +2</td><td>♠A</td><td>-170</td><td>16 18</td></tr> <tr><td>B 2</td><td>302 408</td><td>2S O +2</td><td>♠7</td><td>-180</td><td>8 26</td></tr> <tr><td>B 3</td><td>303 401</td><td>2♥ E +1</td><td>♠A</td><td>-140</td><td>27 7</td></tr> <tr><td>B 4</td><td>304 403</td><td>1S E +1</td><td>♠7</td><td>-120</td><td>30 4</td></tr> <tr><td>B 5</td><td>305 405</td><td>2S O +2</td><td>♠7</td><td>-180</td><td>8 26</td></tr> <tr><td>B 6</td><td>306 407</td><td>2♥ E +2</td><td>♠A</td><td>-170</td><td>16 18</td></tr> <tr><td>B 7</td><td>307 409</td><td>2♠x S -4</td><td>♥A</td><td>-1100</td><td>0 34</td></tr> <tr><td>B 8</td><td>308 402</td><td>2♠x S -3</td><td>♥A</td><td>-800</td><td>2 32</td></tr> <tr><td>B 9</td><td>309 404</td><td>2S O +1</td><td>♠7</td><td>-150</td><td>23 11</td></tr> </tbody> </table>	Tbl	Paire	Contrat	Ent	Résultat	Score	A 1	101 207	2♠ S -2	♥A	-200	4 30	A 2	102 209	3S E -1	♠A	100	32 2	A 3	103 201	1♠x N =	♥A	160	34 0	A 4	104 203	2S O +2	♠7	-180	8 26	A 5	105 205	2♥ E +1	♠A	-140	27 7	A 7	107 208	2♥ E +2	♠A	-170	16 18	A 8	108 210	2♥ E +2	♣A	-170	16 18	A 9	109 202	1S O +2	♠7	-150	23 11	A 10	110 204	2♥ E +2	♠A	-170	16 18	B 1	301 406	2♥ E +2	♠A	-170	16 18	B 2	302 408	2S O +2	♠7	-180	8 26	B 3	303 401	2♥ E +1	♠A	-140	27 7	B 4	304 403	1S E +1	♠7	-120	30 4	B 5	305 405	2S O +2	♠7	-180	8 26	B 6	306 407	2♥ E +2	♠A	-170	16 18	B 7	307 409	2♠x S -4	♥A	-1100	0 34	B 8	308 402	2♠x S -3	♥A	-800	2 32	B 9	309 404	2S O +1	♠7	-150	23 11	<table border="1"> <thead> <tr> <th>Tbl</th> <th>Paire</th> <th>Contrat</th> <th>Ent</th> <th>Résultat</th> <th>Score</th> </tr> </thead> <tbody> <tr><td>A 1</td><td>101 207</td><td>3S E -1</td><td>♥2</td><td>50</td><td>32 2</td></tr> <tr><td>A 2</td><td>102 209</td><td>3♦ E +2</td><td>♣4</td><td>-150</td><td>28 6</td></tr> <tr><td>A 3</td><td>103 201</td><td>3S O +2</td><td>♥7</td><td>-460</td><td>3 31</td></tr> <tr><td>A 4</td><td>104 203</td><td>3S O +1</td><td>♥6</td><td>-430</td><td>11 23</td></tr> <tr><td>A 5</td><td>105 205</td><td>3S O =</td><td>♠8</td><td>-400</td><td>21 13</td></tr> <tr><td>A 7</td><td>107 208</td><td>3S O =</td><td>♠8</td><td>-400</td><td>21 13</td></tr> <tr><td>A 8</td><td>108 210</td><td>3S O =</td><td>♠8</td><td>-400</td><td>21 13</td></tr> <tr><td>A 9</td><td>109 202</td><td>3S E +2</td><td>♠2</td><td>-460</td><td>3 31</td></tr> <tr><td>A 10</td><td>110 204</td><td>3S O =</td><td>♠8</td><td>-400</td><td>21 13</td></tr> <tr><td>B 1</td><td>301 406</td><td>3S O +1</td><td>♠8</td><td>-430</td><td>11 23</td></tr> <tr><td>B 2</td><td>302 408</td><td>3S O +2</td><td>♥6</td><td>-460</td><td>3 31</td></tr> <tr><td>B 3</td><td>303 401</td><td>3S E +2</td><td>♠2</td><td>-460</td><td>3 31</td></tr> <tr><td>B 4</td><td>304 403</td><td>3S O -1</td><td>♠8</td><td>50</td><td>32 2</td></tr> <tr><td>B 5</td><td>305 405</td><td>3S O +1</td><td>♠8</td><td>-430</td><td>11 23</td></tr> <tr><td>B 6</td><td>306 407</td><td>3S E -1</td><td>♠2</td><td>50</td><td>32 2</td></tr> <tr><td>B 7</td><td>307 409</td><td>3S O +1</td><td>♥7</td><td>-430</td><td>11 23</td></tr> <tr><td>B 8</td><td>308 402</td><td>3S O =</td><td>♠8</td><td>-400</td><td>21 13</td></tr> <tr><td>B 9</td><td>309 404</td><td>3S E =</td><td>♠2</td><td>-400</td><td>21 13</td></tr> </tbody> </table>	Tbl	Paire	Contrat	Ent	Résultat	Score	A 1	101 207	3S E -1	♥2	50	32 2	A 2	102 209	3♦ E +2	♣4	-150	28 6	A 3	103 201	3S O +2	♥7	-460	3 31	A 4	104 203	3S O +1	♥6	-430	11 23	A 5	105 205	3S O =	♠8	-400	21 13	A 7	107 208	3S O =	♠8	-400	21 13	A 8	108 210	3S O =	♠8	-400	21 13	A 9	109 202	3S E +2	♠2	-460	3 31	A 10	110 204	3S O =	♠8	-400	21 13	B 1	301 406	3S O +1	♠8	-430	11 23	B 2	302 408	3S O +2	♥6	-460	3 31	B 3	303 401	3S E +2	♠2	-460	3 31	B 4	304 403	3S O -1	♠8	50	32 2	B 5	305 405	3S O +1	♠8	-430	11 23	B 6	306 407	3S E -1	♠2	50	32 2	B 7	307 409	3S O +1	♥7	-430	11 23	B 8	308 402	3S O =	♠8	-400	21 13	B 9	309 404	3S E =	♠2	-400	21 13
Tbl	Paire	Contrat	Ent	Résultat	Score																																																																																																																																																																																																																																
A 1	101 207	2♠ S -2	♥A	-200	4 30																																																																																																																																																																																																																																
A 2	102 209	3S E -1	♠A	100	32 2																																																																																																																																																																																																																																
A 3	103 201	1♠x N =	♥A	160	34 0																																																																																																																																																																																																																																
A 4	104 203	2S O +2	♠7	-180	8 26																																																																																																																																																																																																																																
A 5	105 205	2♥ E +1	♠A	-140	27 7																																																																																																																																																																																																																																
A 7	107 208	2♥ E +2	♠A	-170	16 18																																																																																																																																																																																																																																
A 8	108 210	2♥ E +2	♣A	-170	16 18																																																																																																																																																																																																																																
A 9	109 202	1S O +2	♠7	-150	23 11																																																																																																																																																																																																																																
A 10	110 204	2♥ E +2	♠A	-170	16 18																																																																																																																																																																																																																																
B 1	301 406	2♥ E +2	♠A	-170	16 18																																																																																																																																																																																																																																
B 2	302 408	2S O +2	♠7	-180	8 26																																																																																																																																																																																																																																
B 3	303 401	2♥ E +1	♠A	-140	27 7																																																																																																																																																																																																																																
B 4	304 403	1S E +1	♠7	-120	30 4																																																																																																																																																																																																																																
B 5	305 405	2S O +2	♠7	-180	8 26																																																																																																																																																																																																																																
B 6	306 407	2♥ E +2	♠A	-170	16 18																																																																																																																																																																																																																																
B 7	307 409	2♠x S -4	♥A	-1100	0 34																																																																																																																																																																																																																																
B 8	308 402	2♠x S -3	♥A	-800	2 32																																																																																																																																																																																																																																
B 9	309 404	2S O +1	♠7	-150	23 11																																																																																																																																																																																																																																
Tbl	Paire	Contrat	Ent	Résultat	Score																																																																																																																																																																																																																																
A 1	101 207	3S E -1	♥2	50	32 2																																																																																																																																																																																																																																
A 2	102 209	3♦ E +2	♣4	-150	28 6																																																																																																																																																																																																																																
A 3	103 201	3S O +2	♥7	-460	3 31																																																																																																																																																																																																																																
A 4	104 203	3S O +1	♥6	-430	11 23																																																																																																																																																																																																																																
A 5	105 205	3S O =	♠8	-400	21 13																																																																																																																																																																																																																																
A 7	107 208	3S O =	♠8	-400	21 13																																																																																																																																																																																																																																
A 8	108 210	3S O =	♠8	-400	21 13																																																																																																																																																																																																																																
A 9	109 202	3S E +2	♠2	-460	3 31																																																																																																																																																																																																																																
A 10	110 204	3S O =	♠8	-400	21 13																																																																																																																																																																																																																																
B 1	301 406	3S O +1	♠8	-430	11 23																																																																																																																																																																																																																																
B 2	302 408	3S O +2	♥6	-460	3 31																																																																																																																																																																																																																																
B 3	303 401	3S E +2	♠2	-460	3 31																																																																																																																																																																																																																																
B 4	304 403	3S O -1	♠8	50	32 2																																																																																																																																																																																																																																
B 5	305 405	3S O +1	♠8	-430	11 23																																																																																																																																																																																																																																
B 6	306 407	3S E -1	♠2	50	32 2																																																																																																																																																																																																																																
B 7	307 409	3S O +1	♥7	-430	11 23																																																																																																																																																																																																																																
B 8	308 402	3S O =	♠8	-400	21 13																																																																																																																																																																																																																																
B 9	309 404	3S E =	♠2	-400	21 13																																																																																																																																																																																																																																

# 04/06/2024 CHALLENGE FESTIVAL DE DEAUVILLE SEA Fréquences et scores

## Comité Aucune Division SEANCE 2 BCSH

19 tables, 38 paires. Nombre de donnes: 27. Moyenne: 459. Classement serpentín (6).

### 15

987  
RV94  
V763  
75

ADV3

A2

A

RV9642



65

D8653

D95

AD10

R1042

107

R10842

83

6♣ O -920

	♣	♦	♥	♠	S
NS	1	5	3	2	1
EO	12	8	10	11	11

Tbl	Paire	Contrat	Ent	Résultat	Score
A 1	101 207	3S	O +2 ♦3	-460	9 25
A 2	102 209	5♣	O +1 ♥4	-420	22 12
A 3	103 201	6♣	O = ♣7	-920	1 33
A 4	104 203	3S	E +2 ♦4	-460	9 25
A 5	105 205	4♥	E = ♦2	-420	22 12
A 7	107 208	4S	E +1 ♦4	-460	9 25
A 8	108 210	6♣	E = ♦3	-920	1 33
A 9	109 202	3S	E +1 ♦4	-430	15 19
A 10	110 204	3S	E = ♦4	-400	30 4
B 1	301 406	3S	E = ♦4	-400	30 4
B 2	302 408	3S	E +2 ♦4	-460	9 25
B 3	303 401	5♣	O +1 ♦6	-420	22 12
B 4	304 403	5♣	O +1 ♣5	-420	22 12
B 5	305 405	3S	E = ♦4	-400	30 4
B 6	306 407	3S	E +1 ♦4	-430	15 19
B 7	307 409	4♥	E = ♦4	-420	22 12
B 8	308 402	4♥	E -1 ♣8	50	34 0
B 9	309 404	3S	O +4 ♦7	-520	4 30

### 16

R72  
108  
10964  
ARV8

A105

V53

AD8752

9



DV

ARD62

R3

D432

98643

974

V

10765

5♥ O -650

	♣	♦	♥	♠	S
NS	6	2	1	6	3
E	7	10	11	7	10
O	:	11	:	:	:

Tbl	Paire	Contrat	Ent	Résultat	Score
A 1	101 205	4♥	E -1 ♠2	100	29 5
A 2	102 208	4♥	E +2 ♣7	-680	0 34
A 3	103 210	6♥	E -1 ♥3	100	29 5
A 4	104 202	4♥	E +1 ♦V	-650	8 26
A 5	105 204	4♥	E +1 ♦V	-650	8 26
A 6	106 206	6♦	O -1 ♣A	100	29 5
A 8	108 209	3S	O +1 ♣A	-630	16 18
A 9	109 201	6♥	E -1 ♦V	100	29 5
A 10	110 203	4♥	E = ♠9	-620	19 15
B 1	301 405	4♥	E +1 ♦V	-650	8 26
B 2	302 407	5♦	O = ♣A	-600	23 11
B 3	303 409	3S	E = ♠9	-600	23 11
B 4	304 402	4♥	E +1 ♣7	-650	8 26
B 5	305 404	5♥	E = ♦V	-650	8 26
B 6	306 406	4♥	E +1 ♦V	-650	8 26
B 7	307 408	6♥	E -2 ♠3	200	34 0
B 8	308 401	4♥	E = ♦V	-620	19 15
B 9	309 403	4♥	E +1 ♦V	-650	8 26



# 04/06/2024 CHALLENGE FESTIVAL DE DEAUVILLE SEA Fréquences et scores

## Comité Aucune Division SEANCE 2 BCSH

19 tables, 38 paires. Nombre de donnes: 27. Moyenne: 459. Classement serpentín (6).

### 17

84  
A1096  
D7  
109753

ARV9752 D3  
RV 532  
R43 A852  
4 D862

106  
D874  
V1096  
ARV

4♠ E -420

	♣	♦	♥	♠	S
NS	7	5	8	3	3
EO	6	7	5	10	9

Tbl	Paire	Contrat	Ent	Résultat	Score
A 1	101 205	4♠ O -1	♣3	50	28 6
A 2	102 208	4♠ O =	♥A	-420	14 20
A 3	103 210	4♠ O +1	♣10	-450	5 29
A 4	104 202	4♠ O =	♠8	-420	14 20
A 5	105 204	4♠ O +1	♠8	-450	5 29
A 6	106 206	4♠ O =	♦D	-420	14 20
A 8	108 209	4♠ O -1	♦D	50	28 6
A 9	109 201	4♠ O =	♣10	-420	14 20
A 10	110 203	4♠ O -1	♣10	50	28 6
B 1	301 405	4♠ O +1	♥A	-450	5 29
B 2	302 407	4♠ O -1	♦D	50	28 6
B 3	303 409	2♠ O +1	♣3	-140	20 14
B 4	304 402	4♠ O +1	♣10	-450	5 29
B 5	305 404	4♠ O -1	♦D	50	28 6
B 6	306 406	4♠ O -1	♦D	50	28 6
B 7	307 408	4♠ E -1	♦D	50	28 6
B 8	308 401	4♠ O =	♣3	-420	14 20
B 9	309 403	4♠ O +2	♥A	-480	0 34

### 18

93  
R863  
V9852  
D6

ARV105 86  
97 AV42  
7 D10643  
AR1053 V2

D742  
D105  
AR  
9874

4♠ E -420


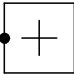
	♣	♦	♥	♠	S
N	3	5	4	3	3
S	:	:	5	:	:
E	10	8	8	10	9
O	:	:	:	:	8

Tbl	Paire	Contrat	Ent	Résultat	Score
A 1	101 205	2♠ O =	♦2	-110	32 2
A 2	102 208	2♠ O +3	♦8	-200	14 20
A 3	103 210	3♣ O +1	♥6	-130	26 8
A 4	104 202	3S E =	♥10	-400	8 26
A 5	105 204	3S E =	♥10	-400	8 26
A 6	106 206	2♠ O +1	♦2	-140	20 14
A 8	108 209	2S E =	♥5	-120	29 5
A 9	109 201	3S E =	♥10	-400	8 26
A 10	110 203	3S E +1	♣9	-430	1 33
B 1	301 405	3S O +1	♣8	-430	1 33
B 2	302 407	2♠ O +1	♦2	-140	20 14
B 3	303 409	2S O =	♥2	-120	29 5
B 4	304 402	2♠ O +1	♦2	-140	20 14
B 5	305 404	2♠ O +1	♦2	-140	20 14
B 6	306 406	2♠ O +1	♦2	-140	20 14
B 7	307 408	3S E -2	♦R	100	34 0
B 8	308 401	3S E =	♥5	-400	8 26
B 9	309 403	3S E =	♦A	-400	8 26

# 04/06/2024 CHALLENGE FESTIVAL DE DEAUVILLE SEA Fréquences et scores

## Comité Aucune Division SEANCE 2 BCSH

19 tables, 38 paires. Nombre de donnes: 27. Moyenne: 459. Classement serpentin (6).

<p><b>19</b></p> <p>D8 R84 R106 AD1074</p> <p>RV95 72 A965  D732 D9832 --- V74 R862</p> <p>A10643 V10 A5 V953</p> <p>4♣ S 130</p> <table border="1"> <thead> <tr> <th></th> <th>♣</th> <th>♦</th> <th>♥</th> <th>♠</th> <th>S</th> </tr> </thead> <tbody> <tr> <td>NS</td> <td>10</td> <td>6</td> <td>5</td> <td>8</td> <td>8</td> </tr> <tr> <td>E</td> <td>3</td> <td>7</td> <td>7</td> <td>4</td> <td>5</td> </tr> <tr> <td>O</td> <td>:</td> <td>:</td> <td>:</td> <td>5</td> <td>:</td> </tr> </tbody> </table>		♣	♦	♥	♠	S	NS	10	6	5	8	8	E	3	7	7	4	5	O	:	:	:	5	:	<p><b>20</b></p> <p>R98654 AD 75 1072</p> <p>AV73 102 983  V64 43 --- RV10982 RD54 63</p> <p>D R10752 AD6 AV98</p> <p>4S N 630</p> <table border="1"> <thead> <tr> <th></th> <th>♣</th> <th>♦</th> <th>♥</th> <th>♠</th> <th>S</th> </tr> </thead> <tbody> <tr> <td>NS</td> <td>10</td> <td>7</td> <td>10</td> <td>9</td> <td>10</td> </tr> <tr> <td>E</td> <td>3</td> <td>6</td> <td>3</td> <td>2</td> <td>2</td> </tr> <tr> <td>O</td> <td>:</td> <td>:</td> <td>2</td> <td>:</td> <td>:</td> </tr> </tbody> </table>		♣	♦	♥	♠	S	NS	10	7	10	9	10	E	3	6	3	2	2	O	:	:	2	:	:																																																																																																																																																																																				
	♣	♦	♥	♠	S																																																																																																																																																																																																																																
NS	10	6	5	8	8																																																																																																																																																																																																																																
E	3	7	7	4	5																																																																																																																																																																																																																																
O	:	:	:	5	:																																																																																																																																																																																																																																
	♣	♦	♥	♠	S																																																																																																																																																																																																																																
NS	10	7	10	9	10																																																																																																																																																																																																																																
E	3	6	3	2	2																																																																																																																																																																																																																																
O	:	:	2	:	:																																																																																																																																																																																																																																
<table border="1"> <thead> <tr> <th>Tbl</th> <th>Paire</th> <th>Contrat</th> <th>Ent</th> <th>Résultat</th> <th>Score</th> </tr> </thead> <tbody> <tr><td>A 1</td><td>101 204</td><td>2♠ S = ♦2</td><td></td><td>110</td><td>21 13</td></tr> <tr><td>A 2</td><td>102 206</td><td>2S N -1 ♦4</td><td></td><td>-50</td><td>11 23</td></tr> <tr><td>A 3</td><td>103 209</td><td>3S N -1 ♦4</td><td></td><td>-50</td><td>11 23</td></tr> <tr><td>A 4</td><td>104 201</td><td>3Sx N -1 ♦4</td><td></td><td>-100</td><td>3 31</td></tr> <tr><td>A 5</td><td>105 203</td><td>2♣ N +1 ♣2</td><td></td><td>110</td><td>21 13</td></tr> <tr><td>A 6</td><td>106 205</td><td>2♠ S +1 ♦9</td><td></td><td>140</td><td>30 4</td></tr> <tr><td>A 7</td><td>107 207</td><td>3S N -1 ♥2</td><td></td><td>-50</td><td>11 23</td></tr> <tr><td>A 9</td><td>109 210</td><td>3S S -2 ♦3</td><td></td><td>-100</td><td>3 31</td></tr> <tr><td>A 10</td><td>110 202</td><td>3S N -1 ♥2</td><td></td><td>-50</td><td>11 23</td></tr> <tr><td>B 1</td><td>301 404</td><td>3S N -1 ♥2</td><td></td><td>-50</td><td>11 23</td></tr> <tr><td>B 2</td><td>302 406</td><td>2S N = ♥2</td><td></td><td>120</td><td>26 8</td></tr> <tr><td>B 3</td><td>303 408</td><td>2♠ S = ♦2</td><td></td><td>110</td><td>21 13</td></tr> <tr><td>B 4</td><td>304 401</td><td>2♠ N = ♦2</td><td></td><td>110</td><td>21 13</td></tr> <tr><td>B 5</td><td>305 403</td><td>2♠ S +1 ♦8</td><td></td><td>140</td><td>30 4</td></tr> <tr><td>B 6</td><td>306 405</td><td>3♠ S = ♦2</td><td></td><td>140</td><td>30 4</td></tr> <tr><td>B 7</td><td>307 407</td><td>3♥x E -3 ♣5</td><td></td><td>800</td><td>34 0</td></tr> <tr><td>B 8</td><td>308 409</td><td>3S N -1 ♥2</td><td></td><td>-50</td><td>11 23</td></tr> <tr><td>B 9</td><td>309 402</td><td>4♠ S -3 ♦2</td><td></td><td>-150</td><td>0 34</td></tr> </tbody> </table>	Tbl	Paire	Contrat	Ent	Résultat	Score	A 1	101 204	2♠ S = ♦2		110	21 13	A 2	102 206	2S N -1 ♦4		-50	11 23	A 3	103 209	3S N -1 ♦4		-50	11 23	A 4	104 201	3Sx N -1 ♦4		-100	3 31	A 5	105 203	2♣ N +1 ♣2		110	21 13	A 6	106 205	2♠ S +1 ♦9		140	30 4	A 7	107 207	3S N -1 ♥2		-50	11 23	A 9	109 210	3S S -2 ♦3		-100	3 31	A 10	110 202	3S N -1 ♥2		-50	11 23	B 1	301 404	3S N -1 ♥2		-50	11 23	B 2	302 406	2S N = ♥2		120	26 8	B 3	303 408	2♠ S = ♦2		110	21 13	B 4	304 401	2♠ N = ♦2		110	21 13	B 5	305 403	2♠ S +1 ♦8		140	30 4	B 6	306 405	3♠ S = ♦2		140	30 4	B 7	307 407	3♥x E -3 ♣5		800	34 0	B 8	308 409	3S N -1 ♥2		-50	11 23	B 9	309 402	4♠ S -3 ♦2		-150	0 34	<table border="1"> <thead> <tr> <th>Tbl</th> <th>Paire</th> <th>Contrat</th> <th>Ent</th> <th>Résultat</th> <th>Score</th> </tr> </thead> <tbody> <tr><td>A 1</td><td>101 204</td><td>3S N +1 ♥9</td><td></td><td>630</td><td>32 2</td></tr> <tr><td>A 2</td><td>102 206</td><td>3♠ N -2 ♣6</td><td></td><td>-200</td><td>0 34</td></tr> <tr><td>A 3</td><td>103 209</td><td>2♠ N +3 ♦V</td><td></td><td>200</td><td>12 22</td></tr> <tr><td>A 4</td><td>104 201</td><td>3S S = ♠3</td><td></td><td>600</td><td>18 16</td></tr> <tr><td>A 5</td><td>105 203</td><td>4♥ S = ♦4</td><td></td><td>620</td><td>25 9</td></tr> <tr><td>A 6</td><td>106 205</td><td>3S S +1 ♣5</td><td></td><td>630</td><td>32 2</td></tr> <tr><td>A 7</td><td>107 207</td><td>3S S = ♦4</td><td></td><td>600</td><td>18 16</td></tr> <tr><td>A 9</td><td>109 210</td><td>2♠ N = ♣6</td><td></td><td>110</td><td>4 30</td></tr> <tr><td>A 10</td><td>110 202</td><td>4♦ E -4 ♠D</td><td></td><td>400</td><td>14 20</td></tr> <tr><td>B 1</td><td>301 404</td><td>4♠ N = ♣6</td><td></td><td>620</td><td>25 9</td></tr> <tr><td>B 2</td><td>302 406</td><td>2S S +1 ♦4</td><td></td><td>150</td><td>6 28</td></tr> <tr><td>B 3</td><td>303 408</td><td>2S S +2 ♣5</td><td></td><td>180</td><td>9 25</td></tr> <tr><td>B 4</td><td>304 401</td><td>4♠ S = ♣R</td><td></td><td>620</td><td>25 9</td></tr> <tr><td>B 5</td><td>305 403</td><td>3S S +1 ♦4</td><td></td><td>630</td><td>32 2</td></tr> <tr><td>B 6</td><td>306 405</td><td>2S S +2 ♦4</td><td></td><td>180</td><td>9 25</td></tr> <tr><td>B 7</td><td>307 407</td><td>3S N = ♦V</td><td></td><td>600</td><td>18 16</td></tr> <tr><td>B 8</td><td>308 409</td><td>4♠ N = ♣6</td><td></td><td>620</td><td>25 9</td></tr> <tr><td>B 9</td><td>309 402</td><td>3♠ N -1 ♣6</td><td></td><td>-100</td><td>2 32</td></tr> </tbody> </table>	Tbl	Paire	Contrat	Ent	Résultat	Score	A 1	101 204	3S N +1 ♥9		630	32 2	A 2	102 206	3♠ N -2 ♣6		-200	0 34	A 3	103 209	2♠ N +3 ♦V		200	12 22	A 4	104 201	3S S = ♠3		600	18 16	A 5	105 203	4♥ S = ♦4		620	25 9	A 6	106 205	3S S +1 ♣5		630	32 2	A 7	107 207	3S S = ♦4		600	18 16	A 9	109 210	2♠ N = ♣6		110	4 30	A 10	110 202	4♦ E -4 ♠D		400	14 20	B 1	301 404	4♠ N = ♣6		620	25 9	B 2	302 406	2S S +1 ♦4		150	6 28	B 3	303 408	2S S +2 ♣5		180	9 25	B 4	304 401	4♠ S = ♣R		620	25 9	B 5	305 403	3S S +1 ♦4		630	32 2	B 6	306 405	2S S +2 ♦4		180	9 25	B 7	307 407	3S N = ♦V		600	18 16	B 8	308 409	4♠ N = ♣6		620	25 9	B 9	309 402	3♠ N -1 ♣6		-100	2 32
Tbl	Paire	Contrat	Ent	Résultat	Score																																																																																																																																																																																																																																
A 1	101 204	2♠ S = ♦2		110	21 13																																																																																																																																																																																																																																
A 2	102 206	2S N -1 ♦4		-50	11 23																																																																																																																																																																																																																																
A 3	103 209	3S N -1 ♦4		-50	11 23																																																																																																																																																																																																																																
A 4	104 201	3Sx N -1 ♦4		-100	3 31																																																																																																																																																																																																																																
A 5	105 203	2♣ N +1 ♣2		110	21 13																																																																																																																																																																																																																																
A 6	106 205	2♠ S +1 ♦9		140	30 4																																																																																																																																																																																																																																
A 7	107 207	3S N -1 ♥2		-50	11 23																																																																																																																																																																																																																																
A 9	109 210	3S S -2 ♦3		-100	3 31																																																																																																																																																																																																																																
A 10	110 202	3S N -1 ♥2		-50	11 23																																																																																																																																																																																																																																
B 1	301 404	3S N -1 ♥2		-50	11 23																																																																																																																																																																																																																																
B 2	302 406	2S N = ♥2		120	26 8																																																																																																																																																																																																																																
B 3	303 408	2♠ S = ♦2		110	21 13																																																																																																																																																																																																																																
B 4	304 401	2♠ N = ♦2		110	21 13																																																																																																																																																																																																																																
B 5	305 403	2♠ S +1 ♦8		140	30 4																																																																																																																																																																																																																																
B 6	306 405	3♠ S = ♦2		140	30 4																																																																																																																																																																																																																																
B 7	307 407	3♥x E -3 ♣5		800	34 0																																																																																																																																																																																																																																
B 8	308 409	3S N -1 ♥2		-50	11 23																																																																																																																																																																																																																																
B 9	309 402	4♠ S -3 ♦2		-150	0 34																																																																																																																																																																																																																																
Tbl	Paire	Contrat	Ent	Résultat	Score																																																																																																																																																																																																																																
A 1	101 204	3S N +1 ♥9		630	32 2																																																																																																																																																																																																																																
A 2	102 206	3♠ N -2 ♣6		-200	0 34																																																																																																																																																																																																																																
A 3	103 209	2♠ N +3 ♦V		200	12 22																																																																																																																																																																																																																																
A 4	104 201	3S S = ♠3		600	18 16																																																																																																																																																																																																																																
A 5	105 203	4♥ S = ♦4		620	25 9																																																																																																																																																																																																																																
A 6	106 205	3S S +1 ♣5		630	32 2																																																																																																																																																																																																																																
A 7	107 207	3S S = ♦4		600	18 16																																																																																																																																																																																																																																
A 9	109 210	2♠ N = ♣6		110	4 30																																																																																																																																																																																																																																
A 10	110 202	4♦ E -4 ♠D		400	14 20																																																																																																																																																																																																																																
B 1	301 404	4♠ N = ♣6		620	25 9																																																																																																																																																																																																																																
B 2	302 406	2S S +1 ♦4		150	6 28																																																																																																																																																																																																																																
B 3	303 408	2S S +2 ♣5		180	9 25																																																																																																																																																																																																																																
B 4	304 401	4♠ S = ♣R		620	25 9																																																																																																																																																																																																																																
B 5	305 403	3S S +1 ♦4		630	32 2																																																																																																																																																																																																																																
B 6	306 405	2S S +2 ♦4		180	9 25																																																																																																																																																																																																																																
B 7	307 407	3S N = ♦V		600	18 16																																																																																																																																																																																																																																
B 8	308 409	4♠ N = ♣6		620	25 9																																																																																																																																																																																																																																
B 9	309 402	3♠ N -1 ♣6		-100	2 32																																																																																																																																																																																																																																

# 04/06/2024 CHALLENGE FESTIVAL DE DEAUVILLE SEA Fréquences et scores

## Comité Aucune Division SEANCE 2 BCSH

19 tables, 38 paires. Nombre de donnes: 27. Moyenne: 459. Classement serpentín (6).

**21** V10876  
RD95  
A109  
5

R94 A3  
10 764  
R753 DV86  
R9872 AD63



D52  
AV832  
42  
V104

5♣ E -400

	♣	♦	♥	♠	S
NS	2	2	8	8	6
EO	11	10	4	5	7

Tbl	Paire	Contrat	Ent	Résultat	Score
A 1	101 204	3♥ S = ♦7		140	31 3
A 2	102 206	4♦ E +1 ♦4		-150	7 27
A 3	103 209	5♣x O -1 ♥R		100	24 10
A 4	104 201	2♥ S = ♦5		110	27 7
A 5	105 203	4♦ E +1 ♣V		-150	7 27
A 6	106 205	4♥ S -1 ♦5		-100	15 19
A 7	107 207	2♠ N +1 ♦D		140	31 3
A 9	109 210	4♦ E +1 ♥A		-150	7 27
A 10	110 202	3♠ N +1 ♠A		170	34 0
B 1	301 404	5♦x E = ♦2		-550	0 34
B 2	302 406	2♥ S = ♦5		110	27 7
B 3	303 408	4♥ S -1 ♦5		-100	15 19
B 4	304 401	2S O -1 ♥R		50	22 12
B 5	305 403	3♥ S -1 ♦7		-100	15 19
B 6	306 405	1S O = ♠V		-90	20 14
B 7	307 407	4♦ E +1 ♣V		-150	7 27
B 8	308 409	5♥x S -2 ♣2		-500	2 32
B 9	309 402	3♥ S -1 ♦5		-100	15 19

**22** 10863  
V32  
D95  
AV4

V74 ARD2  
R7 D985  
AV83 1042  
D1092 85



95  
A1064  
R76  
R763

1S E -90

	♣	♦	♥	♠	S
NS	7	5	7	6	6
EO	6	7	6	7	7

Tbl	Paire	Contrat	Ent	Résultat	Score
A 1	101 203	Pass		0	16 18
A 2	102 205	Pass		0	16 18
A 3	103 207	Pass		0	16 18
A 4	104 210	2S O = ♠8		-120	3 31
A 5	105 202	Pass		0	16 18
A 6	106 204	Pass		0	16 18
A 7	107 206	2S O = ♠3		-120	3 31
A 8	108 208	Pass		0	16 18
A 10	110 201	1S O = ♠8		-90	6 28
B 1	301 403	2S O -1 ♠8	100	27 7	
B 2	302 405	2S O -1 ♠3	100	27 7	
B 3	303 407	3S O -2 ♠3	200	32 2	
B 4	304 409	3S O -2 ♠8	200	32 2	
B 5	305 402	Pass		0	16 18
B 6	306 404	4♠ E -2 ♣6	200	32 2	
B 7	307 406	Pass		0	16 18
B 8	308 408	2S O +1 ♠3	-150	0 34	
B 9	309 401	Pass		0	16 18

# 04/06/2024 CHALLENGE FESTIVAL DE DEAUVILLE SEA Fréquences et scores

## Comité Aucune Division SEANCE 2 BCSH

19 tables, 38 paires. Nombre de donnes: 27. Moyenne: 459. Classement serpentín (6).

### 23

V82  
AR8  
A842  
V54

54  
DV4  
V10973  
983



D10976  
76  
D  
RD762

AR3  
109532  
R65  
A10

5S S 660

	♣	♦	♥	♠	S
NS	8	10	11	9	11
EO	3	3	2	4	2

Tbl	Paire	Contrat	Ent	Résultat	Score
A 1	101 203	4♥ S = ♣3		620	20 14
A 2	102 205	4♥ N -1 ♠5		-100	5 29
A 3	103 207	3♠x E -5 ♥10		1400	34 0
A 4	104 210	4♥ S -1 ♠5		-100	5 29
A 5	105 202	4♥ S -1 ♠5		-100	5 29
A 6	106 204	3S S = ♦V		600	12 22
A 7	107 206	4♥ S -1 ♦V		-100	5 29
A 8	108 208	4♥ S -1 ♠5		-100	5 29
A 10	110 201	4♥ S = ♦V		620	20 14
B 1	301 403	4♥ S = ♣9		620	20 14
B 2	302 405	4♥ S = ♠5		620	20 14
B 3	303 407	3S S +1 ♦V		630	28 6
B 4	304 409	4♥ S -1 ♠5		-100	5 29
B 5	305 402	3S S +2 ♦V		660	30 4
B 6	306 404	3S S +3 ♠5		690	32 2
B 7	307 406	4♥ S = ♦V		620	20 14
B 8	308 408	4♥ S = ♦V		620	20 14
B 9	309 401	4♥ S = ♦V		620	20 14

### 24

RD7642  
107  
964  
62

98  
R94  
D10  
AR10987



AV1053  
2  
R3  
DV543

---  
ADV8653  
AV8752  
---

6♣x O 300

	♣	♦	♥	♠	S
NS	3	11	11	5	3
EO	10	2	2	8	8

Tbl	Paire	Contrat	Ent	Résultat	Score
A 1	101 203	5♥ S = ♣A		450	10 24
A 2	102 205	4♥x N = ♣A		590	15 19
A 3	103 207	5♦ S -1 ♣A		-50	3 31
A 4	104 210	5♦ S +1 ♣A		420	8 26
A 5	105 202	5♥x S = ♣A		650	24 10
A 6	106 204	5♥x S = ♣A		650	24 10
A 7	107 206	4♥x S +1 ♣A		690	33 1
A 8	108 208	5♥x S = ♣A		650	24 10
A 10	110 201	4♥x S = ♣A		590	15 19
B 1	301 403	5♥x S = ♣3		650	24 10
B 2	302 405	5♥x S = ♣A		650	24 10
B 3	303 407	4♥x S +1 ♣7		690	33 1
B 4	304 409	5♥x S = ♣A		650	24 10
B 5	305 402	5♦x S = ♣7		550	12 22
B 6	306 404	6♣x O -2 ♠R		300	6 28
B 7	307 406	7♦x N -2 ♠A		-300	0 34
B 8	308 408	5♥x S = ♣A		650	24 10
B 9	309 401	5♦ N -1 ♥3		-50	3 31

# 04/06/2024 CHALLENGE FESTIVAL DE DEAUVILLE SEA Fréquences et scores

## Comité Aucune Division SEANCE 2 BCSH

19 tables, 38 paires. Nombre de donnes: 27. Moyenne: 459. Classement serpentín (6).

### 25

---  
ARV97  
10764  
AR42

DV62 AR109875  
1062 43  
DV98 32  
87 96



43  
D85  
AR5  
DV1053

7♣ N 1440

	♣	♦	♥	♠	S
NS	13	10	12	6	6
EO	0	2	1	7	1

### 26

95  
R92  
ADV1092  
43

A72 R10864  
D108 V43  
864 75  
D986 V102



DV3  
A765  
R3  
AR75

4S S 630

	♣	♦	♥	♠	S
NS	8	10	10	7	10
EO	4	2	3	5	2

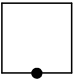
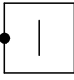
Tbl	Paire	Contrat	Ent	Résultat	Score
A 1	101 202	4♥ N +2	♠A	480	14 20
A 2	102 204	5♥ N +1	♠A	480	14 20
A 3	103 206	6♣ N +1	♠A	940	28 6
A 4	104 208	5♥ N +1	♠A	480	14 20
A 5	105 201	5♥ N +1	♠A	480	14 20
A 6	106 203	5♥ N +1	♠A	480	14 20
A 7	107 205	5♦ S -1	♠6	-50	0 34
A 8	108 207	5♥ N +1	♠A	480	14 20
A 9	109 209	5♥ N +1	♠A	480	14 20
B 1	301 402	5♥ S +1	♠A	480	14 20
B 2	302 404	4♥ N +2	♠A	480	14 20
B 3	303 406	5♥ N +1	♠A	480	14 20
B 4	304 408	6♥ N =	♠A	980	31 3
B 5	305 401	5♥ N +1	♠A	480	14 20
B 6	306 403	6♥ N =	♠A	980	31 3
B 7	307 405	5♥ N +1	♠A	480	14 20
B 8	308 407	4♥ N +2	♠A	480	14 20
B 9	309 409	5♠x E -4	♦A	1100	34 0

Tbl	Paire	Contrat	Ent	Résultat	Score
A 1	101 202	3S S +1	♣6	630	8 26
A 2	102 204	3S N +1	♣6	630	8 26
A 3	103 206	3S S +1	♥8	630	8 26
A 4	104 208	3S S +1	♣6	630	8 26
A 5	105 201	3S S +2	♥10	660	26 8
A 6	106 203	3S S +1	♣6	630	8 26
A 7	107 205	4♥ S +1	♦6	650	18 16
A 8	108 207	3S S +3	♣6	690	34 0
A 9	109 209	3S S +1	♣6	630	8 26
B 1	301 402	3S S +1	♣6	630	8 26
B 2	302 404	3S S +2	♣6	660	26 8
B 3	303 406	3S S +2	♣6	660	26 8
B 4	304 408	3S S +2	♣6	660	26 8
B 5	305 401	3S S +1	♣6	630	8 26
B 6	306 403	3S S +2	♣6	660	26 8
B 7	307 405	3S S +2	♣6	660	26 8
B 8	308 407	3S S +2	♣6	660	26 8
B 9	309 409	3S S +1	♣8	630	8 26

# 04/06/2024 CHALLENGE FESTIVAL DE DEAUVILLE SEA Fréquences et scores

## Comité Aucune Division SEANCE 2 BCSH

19 tables, 38 paires. Nombre de donnes: 27. Moyenne: 459. Classement serpentin (6).

<p><b>27</b> ADV9 AR42 1082 102</p> <p>R763 842 1073  V65 3 RDV765 AV743 8</p> <p>105 D98 A94 RD965</p> <p>5♥ S 450</p> <table border="1"> <thead> <tr> <th></th> <th>♣</th> <th>♦</th> <th>♥</th> <th>♠</th> <th>S</th> </tr> </thead> <tbody> <tr> <td>N</td> <td>10</td> <td>8</td> <td>10</td> <td>10</td> <td>10</td> </tr> <tr> <td>S</td> <td>:</td> <td>:</td> <td>11</td> <td>:</td> <td>:</td> </tr> <tr> <td>E</td> <td>2</td> <td>5</td> <td>2</td> <td>3</td> <td>3</td> </tr> <tr> <td>O</td> <td>3</td> <td>:</td> <td>:</td> <td>:</td> <td>:</td> </tr> </tbody> </table>		♣	♦	♥	♠	S	N	10	8	10	10	10	S	:	:	11	:	:	E	2	5	2	3	3	O	3	:	:	:	:	<p><b>28</b> 7652 AD762 AV3 3</p> <p>10 RV983 R103  V5 D54 1082 V109854 R72</p> <p>AD4 984 R976 AD6</p> <p>6S N 1440</p> <table border="1"> <thead> <tr> <th></th> <th>♣</th> <th>♦</th> <th>♥</th> <th>♠</th> <th>S</th> </tr> </thead> <tbody> <tr> <td>NS</td> <td>8</td> <td>12</td> <td>12</td> <td>10</td> <td>12</td> </tr> <tr> <td>EO</td> <td>5</td> <td>1</td> <td>1</td> <td>3</td> <td>1</td> </tr> </tbody> </table>		♣	♦	♥	♠	S	NS	8	12	12	10	12	EO	5	1	1	3	1																																																																																																																														
	♣	♦	♥	♠	S																																																																																																																																																																										
N	10	8	10	10	10																																																																																																																																																																										
S	:	:	11	:	:																																																																																																																																																																										
E	2	5	2	3	3																																																																																																																																																																										
O	3	:	:	:	:																																																																																																																																																																										
	♣	♦	♥	♠	S																																																																																																																																																																										
NS	8	12	12	10	12																																																																																																																																																																										
EO	5	1	1	3	1																																																																																																																																																																										
<table border="1"> <thead> <tr> <th>Tbl</th> <th>Paire</th> <th>Contrat</th> <th>Ent</th> <th>Résultat</th> <th>Score</th> </tr> </thead> <tbody> <tr><td>A 1</td><td>101 202</td><td>2♠ N +2</td><td>♣8</td><td>170</td><td>8 26</td></tr> <tr><td>A 2</td><td>102 204</td><td>4♣ N =</td><td>♦R</td><td>130</td><td>4 30</td></tr> <tr><td>A 3</td><td>103 206</td><td>2♠x O -3</td><td>♥A</td><td>500</td><td>32 2</td></tr> <tr><td>A 4</td><td>104 208</td><td>3S S +1</td><td>♣4</td><td>430</td><td>26 8</td></tr> <tr><td>A 5</td><td>105 201</td><td>4♥ N -1</td><td>♣8</td><td>-50</td><td>2 32</td></tr> <tr><td>A 6</td><td>106 203</td><td>3S S =</td><td>♠4</td><td>400</td><td>17 17</td></tr> <tr><td>A 7</td><td>107 205</td><td>3S N =</td><td>♦R</td><td>400</td><td>17 17</td></tr> <tr><td>A 8</td><td>108 207</td><td>1S S +3</td><td>♠3</td><td>180</td><td>11 23</td></tr> <tr><td>A 9</td><td>109 209</td><td>3S N +1</td><td>♦R</td><td>430</td><td>26 8</td></tr> <tr><td>B 1</td><td>301 402</td><td>3S S +1</td><td>♠3</td><td>430</td><td>26 8</td></tr> <tr><td>B 2</td><td>302 404</td><td>2S N +1</td><td>♦R</td><td>150</td><td>6 28</td></tr> <tr><td>B 3</td><td>303 406</td><td>1S S +4</td><td>♣4</td><td>210</td><td>14 20</td></tr> <tr><td>B 4</td><td>304 408</td><td>3♣x S +1</td><td>♥3</td><td>570</td><td>34 0</td></tr> <tr><td>B 5</td><td>305 401</td><td>4♥ S -2</td><td>♦3</td><td>-100</td><td>0 34</td></tr> <tr><td>B 6</td><td>306 403</td><td>4♥ N =</td><td>♣8</td><td>420</td><td>20 14</td></tr> <tr><td>B 7</td><td>307 405</td><td>1S S +3</td><td>♣4</td><td>180</td><td>11 23</td></tr> <tr><td>B 8</td><td>308 407</td><td>3S S +1</td><td>♦3</td><td>430</td><td>26 8</td></tr> <tr><td>B 9</td><td>309 409</td><td>3S N +1</td><td>♦R</td><td>430</td><td>26 8</td></tr> </tbody> </table>	Tbl	Paire	Contrat	Ent	Résultat	Score	A 1	101 202	2♠ N +2	♣8	170	8 26	A 2	102 204	4♣ N =	♦R	130	4 30	A 3	103 206	2♠x O -3	♥A	500	32 2	A 4	104 208	3S S +1	♣4	430	26 8	A 5	105 201	4♥ N -1	♣8	-50	2 32	A 6	106 203	3S S =	♠4	400	17 17	A 7	107 205	3S N =	♦R	400	17 17	A 8	108 207	1S S +3	♠3	180	11 23	A 9	109 209	3S N +1	♦R	430	26 8	B 1	301 402	3S S +1	♠3	430	26 8	B 2	302 404	2S N +1	♦R	150	6 28	B 3	303 406	1S S +4	♣4	210	14 20	B 4	304 408	3♣x S +1	♥3	570	34 0	B 5	305 401	4♥ S -2	♦3	-100	0 34	B 6	306 403	4♥ N =	♣8	420	20 14	B 7	307 405	1S S +3	♣4	180	11 23	B 8	308 407	3S S +1	♦3	430	26 8	B 9	309 409	3S N +1	♦R	430	26 8	<table border="1"> <thead> <tr> <th>Tbl</th> <th>Paire</th> <th>Contrat</th> <th>Ent</th> <th>Résultat</th> <th>Score</th> </tr> </thead> <tbody> <tr><td>A 2</td><td>102 203</td><td>4♥ N +1</td><td>♠3</td><td>650</td><td>9 25</td></tr> <tr><td>A 3</td><td>103 205</td><td>4♥ N +2</td><td>♦2</td><td>680</td><td>21 13</td></tr> <tr><td>A 4</td><td>104 207</td><td>6♥ N -1</td><td>♦2</td><td>-100</td><td>1 33</td></tr> <tr><td>A 5</td><td>105 209</td><td>4♥ N +2</td><td>♥V</td><td>680</td><td>21 13</td></tr> <tr><td>A 6</td><td>106 202</td><td>3S S +2</td><td>♠10</td><td>660</td><td>13 21</td></tr> <tr><td>A 7</td><td>107 204</td><td>3S S +3</td><td>♣V</td><td>690</td><td>29 5</td></tr> <tr><td>A 8</td><td>108 206</td><td>4♥ N +2</td><td>♦2</td><td>680</td><td>21 13</td></tr> <tr><td>A 9</td><td>109 208</td><td>4♥ S =</td><td>♠10</td><td>620</td><td>5 29</td></tr> <tr><td>A 10</td><td>110 210</td><td>6♥ N =</td><td>♥2</td><td>1430</td><td>33 1</td></tr> </tbody> </table>	Tbl	Paire	Contrat	Ent	Résultat	Score	A 2	102 203	4♥ N +1	♠3	650	9 25	A 3	103 205	4♥ N +2	♦2	680	21 13	A 4	104 207	6♥ N -1	♦2	-100	1 33	A 5	105 209	4♥ N +2	♥V	680	21 13	A 6	106 202	3S S +2	♠10	660	13 21	A 7	107 204	3S S +3	♣V	690	29 5	A 8	108 206	4♥ N +2	♦2	680	21 13	A 9	109 208	4♥ S =	♠10	620	5 29	A 10	110 210	6♥ N =	♥2	1430	33 1
Tbl	Paire	Contrat	Ent	Résultat	Score																																																																																																																																																																										
A 1	101 202	2♠ N +2	♣8	170	8 26																																																																																																																																																																										
A 2	102 204	4♣ N =	♦R	130	4 30																																																																																																																																																																										
A 3	103 206	2♠x O -3	♥A	500	32 2																																																																																																																																																																										
A 4	104 208	3S S +1	♣4	430	26 8																																																																																																																																																																										
A 5	105 201	4♥ N -1	♣8	-50	2 32																																																																																																																																																																										
A 6	106 203	3S S =	♠4	400	17 17																																																																																																																																																																										
A 7	107 205	3S N =	♦R	400	17 17																																																																																																																																																																										
A 8	108 207	1S S +3	♠3	180	11 23																																																																																																																																																																										
A 9	109 209	3S N +1	♦R	430	26 8																																																																																																																																																																										
B 1	301 402	3S S +1	♠3	430	26 8																																																																																																																																																																										
B 2	302 404	2S N +1	♦R	150	6 28																																																																																																																																																																										
B 3	303 406	1S S +4	♣4	210	14 20																																																																																																																																																																										
B 4	304 408	3♣x S +1	♥3	570	34 0																																																																																																																																																																										
B 5	305 401	4♥ S -2	♦3	-100	0 34																																																																																																																																																																										
B 6	306 403	4♥ N =	♣8	420	20 14																																																																																																																																																																										
B 7	307 405	1S S +3	♣4	180	11 23																																																																																																																																																																										
B 8	308 407	3S S +1	♦3	430	26 8																																																																																																																																																																										
B 9	309 409	3S N +1	♦R	430	26 8																																																																																																																																																																										
Tbl	Paire	Contrat	Ent	Résultat	Score																																																																																																																																																																										
A 2	102 203	4♥ N +1	♠3	650	9 25																																																																																																																																																																										
A 3	103 205	4♥ N +2	♦2	680	21 13																																																																																																																																																																										
A 4	104 207	6♥ N -1	♦2	-100	1 33																																																																																																																																																																										
A 5	105 209	4♥ N +2	♥V	680	21 13																																																																																																																																																																										
A 6	106 202	3S S +2	♠10	660	13 21																																																																																																																																																																										
A 7	107 204	3S S +3	♣V	690	29 5																																																																																																																																																																										
A 8	108 206	4♥ N +2	♦2	680	21 13																																																																																																																																																																										
A 9	109 208	4♥ S =	♠10	620	5 29																																																																																																																																																																										
A 10	110 210	6♥ N =	♥2	1430	33 1																																																																																																																																																																										

# 04/06/2024 CHALLENGE FESTIVAL DE DEAUVILLE SEA Fréquences et scores

## Comité Aucune Division SEANCE 2 BCSH

19 tables, 38 paires. Nombre de donnes: 27. Moyenne: 459. Classement serpentín (6).

<p><b>29</b> A1062 97432 R98 3</p> <p>9 RV7543 R6 8 AD42 1076 R109876 AV2</p> <p>D8 ADV105 V53 D54</p> <p>4♣ E -130</p> <table style="width: 100%; text-align: center;"> <tr> <td></td> <td>♣</td> <td>♦</td> <td>♥</td> <td>♠</td> <td>S</td> </tr> <tr> <td>NS</td> <td>3</td> <td>4</td> <td>9</td> <td>5</td> <td>4</td> </tr> <tr> <td>EO</td> <td>10</td> <td>9</td> <td>4</td> <td>8</td> <td>8</td> </tr> </table> <table style="width: 100%; border-collapse: collapse;"> <thead> <tr> <th>Tbl</th> <th>Paire</th> <th>Contrat</th> <th>Ent</th> <th>Résultat</th> <th>Score</th> </tr> </thead> <tbody> <tr><td>A 2</td><td>102 203</td><td>3♥ N +1</td><td>♠7</td><td>170</td><td>33 1</td></tr> <tr><td>A 3</td><td>103 205</td><td>4♥ S -1</td><td>♠9</td><td>-100</td><td>11 23</td></tr> <tr><td>A 4</td><td>104 207</td><td>2♠ E =</td><td>♦3</td><td>-110</td><td>5 29</td></tr> <tr><td>A 5</td><td>105 209</td><td>4♥ S -2</td><td>♠9</td><td>-200</td><td>1 33</td></tr> <tr><td>A 6</td><td>106 202</td><td>4♣ O -1</td><td>♥9</td><td>100</td><td>21 13</td></tr> <tr><td>A 7</td><td>107 204</td><td>3♥ N =</td><td>♦6</td><td>140</td><td>29 5</td></tr> <tr><td>A 8</td><td>108 206</td><td>2♠ E -1</td><td>♣4</td><td>100</td><td>21 13</td></tr> <tr><td>A 9</td><td>109 208</td><td>4♣ O -1</td><td>♥9</td><td>100</td><td>21 13</td></tr> <tr><td>A 10</td><td>110 210</td><td>4♥ S -1</td><td>♠9</td><td>-100</td><td>11 23</td></tr> </tbody> </table>		♣	♦	♥	♠	S	NS	3	4	9	5	4	EO	10	9	4	8	8	Tbl	Paire	Contrat	Ent	Résultat	Score	A 2	102 203	3♥ N +1	♠7	170	33 1	A 3	103 205	4♥ S -1	♠9	-100	11 23	A 4	104 207	2♠ E =	♦3	-110	5 29	A 5	105 209	4♥ S -2	♠9	-200	1 33	A 6	106 202	4♣ O -1	♥9	100	21 13	A 7	107 204	3♥ N =	♦6	140	29 5	A 8	108 206	2♠ E -1	♣4	100	21 13	A 9	109 208	4♣ O -1	♥9	100	21 13	A 10	110 210	4♥ S -1	♠9	-100	11 23	<p><b>30</b> V95 RD103 8654 82</p> <p>A1083 D742 92 AV8 V10 RD92 A10975 R6</p> <p>R6 7654 A73 DV43</p> <p>4♠ E -420</p> <table style="width: 100%; text-align: center;"> <tr> <td></td> <td>♣</td> <td>♦</td> <td>♥</td> <td>♠</td> <td>S</td> </tr> <tr> <td>NS</td> <td>3</td> <td>3</td> <td>4</td> <td>2</td> <td>3</td> </tr> <tr> <td>EO</td> <td>9</td> <td>9</td> <td>8</td> <td>10</td> <td>9</td> </tr> </table> <table style="width: 100%; border-collapse: collapse;"> <thead> <tr> <th>Tbl</th> <th>Paire</th> <th>Contrat</th> <th>Ent</th> <th>Résultat</th> <th>Score</th> </tr> </thead> <tbody> <tr><td>A 2</td><td>102 203</td><td>4♠ E =</td><td>♥7</td><td>-420</td><td>15 19</td></tr> <tr><td>A 3</td><td>103 205</td><td>4♠ E =</td><td>♣D</td><td>-420</td><td>15 19</td></tr> <tr><td>A 4</td><td>104 207</td><td>4♠ E =</td><td>♣D</td><td>-420</td><td>15 19</td></tr> <tr><td>A 5</td><td>105 209</td><td>4♠ E -3</td><td>♣D</td><td>150</td><td>33 1</td></tr> <tr><td>A 6</td><td>106 202</td><td>4♠ E -1</td><td>♣4</td><td>50</td><td>29 5</td></tr> <tr><td>A 7</td><td>107 204</td><td>4♠ E =</td><td>♥7</td><td>-420</td><td>15 19</td></tr> <tr><td>A 8</td><td>108 206</td><td>4♠ E +1</td><td>♣D</td><td>-450</td><td>1 33</td></tr> <tr><td>A 9</td><td>109 208</td><td>4♠ E =</td><td>♥6</td><td>-420</td><td>15 19</td></tr> <tr><td>A 10</td><td>110 210</td><td>4♠ E =</td><td>♣D</td><td>-420</td><td>15 19</td></tr> </tbody> </table>		♣	♦	♥	♠	S	NS	3	3	4	2	3	EO	9	9	8	10	9	Tbl	Paire	Contrat	Ent	Résultat	Score	A 2	102 203	4♠ E =	♥7	-420	15 19	A 3	103 205	4♠ E =	♣D	-420	15 19	A 4	104 207	4♠ E =	♣D	-420	15 19	A 5	105 209	4♠ E -3	♣D	150	33 1	A 6	106 202	4♠ E -1	♣4	50	29 5	A 7	107 204	4♠ E =	♥7	-420	15 19	A 8	108 206	4♠ E +1	♣D	-450	1 33	A 9	109 208	4♠ E =	♥6	-420	15 19	A 10	110 210	4♠ E =	♣D	-420	15 19
	♣	♦	♥	♠	S																																																																																																																																																								
NS	3	4	9	5	4																																																																																																																																																								
EO	10	9	4	8	8																																																																																																																																																								
Tbl	Paire	Contrat	Ent	Résultat	Score																																																																																																																																																								
A 2	102 203	3♥ N +1	♠7	170	33 1																																																																																																																																																								
A 3	103 205	4♥ S -1	♠9	-100	11 23																																																																																																																																																								
A 4	104 207	2♠ E =	♦3	-110	5 29																																																																																																																																																								
A 5	105 209	4♥ S -2	♠9	-200	1 33																																																																																																																																																								
A 6	106 202	4♣ O -1	♥9	100	21 13																																																																																																																																																								
A 7	107 204	3♥ N =	♦6	140	29 5																																																																																																																																																								
A 8	108 206	2♠ E -1	♣4	100	21 13																																																																																																																																																								
A 9	109 208	4♣ O -1	♥9	100	21 13																																																																																																																																																								
A 10	110 210	4♥ S -1	♠9	-100	11 23																																																																																																																																																								
	♣	♦	♥	♠	S																																																																																																																																																								
NS	3	3	4	2	3																																																																																																																																																								
EO	9	9	8	10	9																																																																																																																																																								
Tbl	Paire	Contrat	Ent	Résultat	Score																																																																																																																																																								
A 2	102 203	4♠ E =	♥7	-420	15 19																																																																																																																																																								
A 3	103 205	4♠ E =	♣D	-420	15 19																																																																																																																																																								
A 4	104 207	4♠ E =	♣D	-420	15 19																																																																																																																																																								
A 5	105 209	4♠ E -3	♣D	150	33 1																																																																																																																																																								
A 6	106 202	4♠ E -1	♣4	50	29 5																																																																																																																																																								
A 7	107 204	4♠ E =	♥7	-420	15 19																																																																																																																																																								
A 8	108 206	4♠ E +1	♣D	-450	1 33																																																																																																																																																								
A 9	109 208	4♠ E =	♥6	-420	15 19																																																																																																																																																								
A 10	110 210	4♠ E =	♣D	-420	15 19																																																																																																																																																								

### Rang Paire Score % Nom

1	304	617	<b>67.21</b>	POURCHET Thierry - LEJON Mathieu
2	210	562	<b>61.22</b>	Mme AVON Daniã"le - ATTALI Jean Pierre
3	201	555	<b>60.46</b>	Mme SAUVAIN Camille - COUET Baptiste
4	103	538	<b>58.61</b>	MONSENEGO Gérard - USZYNSKI Woyciech
5	402	554	<b>60.35</b>	Mme PERNET Chloã© - JOULIA Mattia
6	303	533	<b>58.06</b>	PLASTERIE Serge - ABITAN Serge
7	101	532	<b>57.95</b>	MAILLET Pascal - SENANEDJ Alain

Paire	Rang	Score	Paire	Rang	Score	Paire	Rang	Score	Paire	Rang	Score	Paire	Rang	Score
101	7	532	109	33	380	207	13	476	305	10	486	404	16	473
102	35	364	110	8	511	208	15	475	306	11	482	405	18	471
103	4	538	201	3	555	209	31	393	307	25	436	406	32	382
104	36	353	202	24	452	210	2	562	308	20	466	407	37	344
105	12	478	203	9	496	301	23	456	309	38	320	408	20	466
106	27	433	204	29	427	302	19	470	401	16	473	409	22	457
107	28	430	205	30	413	303	6	533	402	5	554			
108	25	436	206	13	476	304	1	617	403	34	376			